

**Butterfly Valves**

**Bronze Butterfly Valves, UL, ULC Listed/FM Approved Threaded**

**Fig.No. BBT-300**

**Specifications**

**Working Pressure:** 300 PSI (21 Bars)

**Max.Test Pressure:** 600 PSI (42 Bars)

**Max. Working Temp:** 250 F (120°C)

Factory installed UL Listed Double Tamper Switches Valve Approved For indoor and Outdoor Use



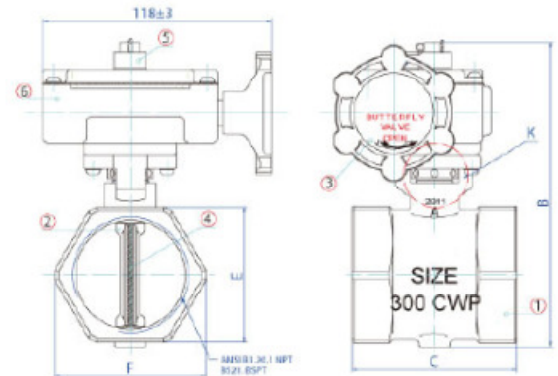
**Primary Materials:**

Component	Material
Body	Bronze C836000
Disc	SS304
Hand Wheel	WCB
Seat	Viton
Indicator	Powder Metal
Housing	Forged Brass



**Dimensions (mm)**

Size	B	C	E	F
25	129	54	39.7	44.5
32	137.9	66.7	49.2	55
40	145.9	73	55.6	60.3
50	159.8	82.6	70	79
65	175.5	114	86.5	96



Design and materials subject to change without notice