

Fireriser® Wafer Type Butterfly Valve

Wafer Type Butterfly Valve-300PSI-21Bars

Fig No.FPB-300W

Specifications

Working Pressure: 300 PSI (21 Bars) -Non Shock Coldwater

Temperature: from -20 °C to 110 °C

Max.Test Pressure: 600 PSI (42.8 Bars)

Universal wafer Type Butterfly Valve Suitable for Connecting to ANSI B 16 Class 125, ISO 2084/Din 2501 PN 16 & BS 4504 PN 16 Flanges

Factory installed UL, listed double Tamper Switches

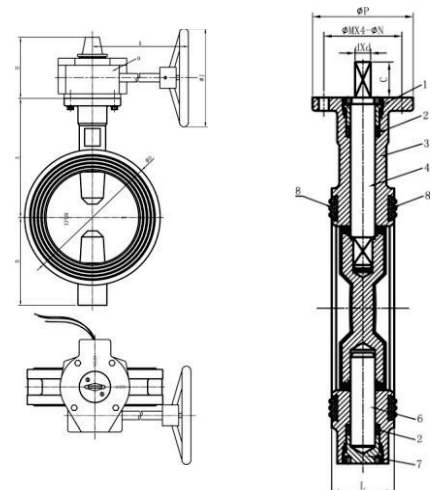
Valve Approved For Indoor and Outdoor Use

Conforms To MISS SP67 /BS EN593:2009



Materials List:

Component	Material
Signal Gearbox	DI
End Face Seal	EPDM
Lower Shaft Sealing Nut	WCB
Lower Shaft	SS416
Disc	DI+EPDM
Upper Shaft	SS416
Body	DI
Shaft Seal	EPDM
Upper Shaft Sealing Nut	WCB



Dimensions (In):

Size	A	B	C	D	H	K	J	P	M	N	d	L
2.5"	125	95	32	112	111	218	152	90	70	9	10	44.2
3"	140	100	32	120	111	218	152	90	70	9	11	45.3
4"	160	100	32	165	111	218	152	90	70	9	14	52
5"	170	125	32	182	111	218	152	90	70	9	14	54.4
6"	190	140	32	216	111	218	200	90	70	9	16	55.8
8"	230	175	32	260	126	232	290	125	102	12	19	60.5
10"	260	200	45	320	126	232	290	125	102	12	22	66.5
12"	300	240	45	375	161	252	350	150	125	14	24	76.9

Notes:

We Reserve The Right To Change Specifications Without Notice.

UL Listed All Sizes 2-1/2" to 6" FM Approved and 8" to 12" Pending