

Fireriser® Y Strainer

Fig.No.:YS-300 - FF

Fusion bonded epoxy coated RAL3003

Working pressure

21 Bar/ 300 PSI

Flanged Ends

ANSI B16.1 Class125/150/250,

EN1092-2 PN10/PN16/PN25

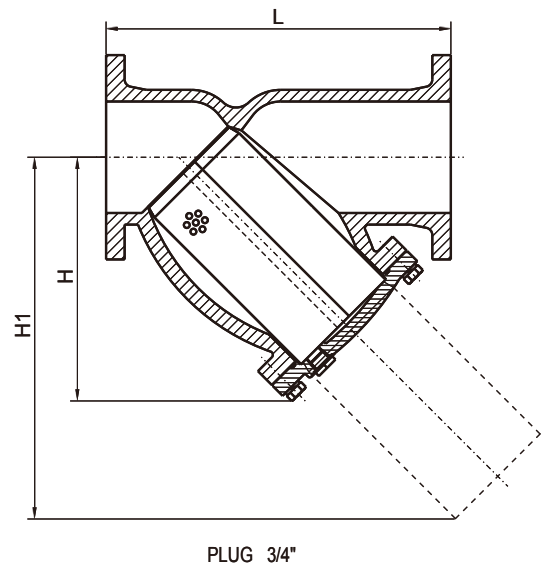
BS10 Table D/Table E



Materials List

| Component | Material | Specification |
|-----------|-----------------|---------------|
| Body | Ductile iron | A536 65-45-12 |
| Cover | Ductile Iron | A536 65-45-12 |
| Screen | Stainless Steel | AISI 304 |
| Gasket | EPDM | |
| Plug | Carbon Steel | |

| Size In/mm | Measured Loss at 15 fps (4.6m/s) |
|---------------|-------------------------------------|
| 2"/50 | 7.22 psi |
| 2.5"/65 | 5.89psi |
| 3"/80 | 8.24psi |
| 4"/100 | 5.88psi |
| 5"/125 | 7.63psi |
| 6"/150 | 4.82psi |
| 8"/200 | 5.83psi |
| 10"/250 | 7.25psi |
| 12"/300 | 5.73psi |



Dimensions(mm/inch)

| SIZE | mm | 50 | 65 | 80 | 100 | 125 | 150 | 200 | 250 | 300 |
|------|------|-------|--------|--------|--------|--------|--------|--------|--------|--------|
| | inch | 2" | 2 1/2" | 3" | 4" | 5" | 6" | 8" | 10" | 12" |
| L | mm | 203 | 254 | 260 | 308 | 398 | 472 | 550 | 654 | 762 |
| | inch | 7.99" | 10" | 10.24" | 12.13" | 15.67" | 18.58" | 21.65" | 25.75" | 30" |
| H | mm | 132 | 158 | 175 | 202 | 290 | 334 | 391 | 460 | 590 |
| | inch | 5.20" | 6.22" | 6.89" | 7.99" | 11.42" | 13.15" | 15.39" | 18.11" | 23.23" |
| H1 | mm | 195 | 240 | 270 | 320 | 425 | 495 | 570 | 700 | 840 |
| | inch | 7.68" | 9.45" | 10.63" | 12.60" | 16.73" | 19.49" | 22.44" | 27.56" | 33.07" |