



Moyne-Roberts



FIRE HOSE REELS/ACCESSORIES

Moyne-Roberts hose reel and accessories include reel hose manufactured to European Standard BS EN 694. The fittings and operational attachments are designed to make installation easier and to maximise the effectiveness of the complete system.

HOSE REELS

The hose reel illustrated overleaf is the standard Model 1 fixed reel. For those locations where space is limited the Slim-line version can be used. The Slim-line reel carries the same hose as the standard models. All hose reels are available in manual and automatic form.

HOSE REEL CABINETS

The standard Model 11 cabinet (illustrated overleaf) is of robust, all-steel construction to carry the Model 1 hose reel inside the door. This allows the reel to swing out a full 180 degrees on the direction of the hose pull-out. It is available in either recessed or surface mounted designs.

In those locations where depth of recess is restricted the Model 11 Slim-line version is used. Both standard and Slim-line cabinets are available with fire extinguisher/landing valve cabinets attached. The Slim-line extinguisher cabinet is tall enough to contain the 5Kg Co2 extinguisher.

FIRE REEL HOSE

Reel hose is available in two diameters, 19mm and 25mm, in standard lengths of 30 metres. For extended hose reels the 19mm hose is also available in 45 metre lengths. The hose itself conforms to BS EN 694 Type A designed for a maximum working pressure of 15 bar.

HOSE REEL NOZZLES

The nozzles are manufactured in red nylon or chrome plated brass. All types comply with BS EN 671-1 : 1994. The range includes both twist grip and lever control to allow adjustment through JET, JET/SPRAY and SPRAY positions.

Nozzle output:	53 ltrs/min at 6 bar
Nozzle equivalent diameter:	7mm
Range - jet:	10 metres (at 2 bar)
Range - spray:	6 metres (at 2 bar)
Spray angle:	120 degrees

HOSE PORT

The hose port enables an automatic reel to be concealed behind a wall or partition and presents the user with just the hose reel nozzle conveniently held within the port at hand height. Made from white epoxy coated steel with a brushed stainless steel door panel the port is supplied with full labelling and operational instructions.

SERVICE TOOL

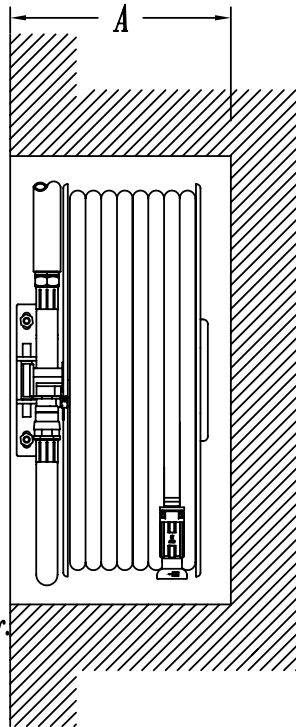
The multi-purpose Service Tool easily removes both manual drums and automatic valves from the reels for maintenance purposes. This can be carried out without removing the hose from the reel or cabinet.



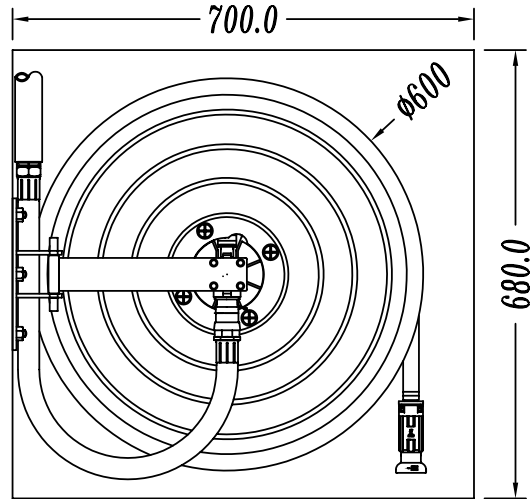
MOYNE ROBERTS DATA SHEET

Data Sheet Number.	DR196
Issue / Date.	4 11/04/07
Page.	1 of 4

Recess Mounted.



Nozzle output at 7 bar.



HOSE REEL MAXIMUM WORKING PRESSURE : 12 bar.

Reel Size	Hose Capacity	Dimensions	Nozzle Output	Carton Size in mm	Pack Wgt With Hose
		A			
19mm	30Mtrs	215mm	46l /min	610x610x180mm	20.0 Kg
25mm	30Mtrs	275mm	48l /min	610x610x230mm	25.0 Kg

HOSE SIZE	NOMINAL DIMENSIONS (mm) Tolerance +- 5% (mm)		WEIGHTS Kg/mtr Tol : +- 5%	PRESSURE (bar)		
	ID	OD		Max Working	Test	Bursting (min)
19mm	19	28	.290	12	24	50
25mm	25	34	.479	12	24	50

The hose reel has been designed and constructed and is Kitemarked and Kiwa certified to BS EN671-1: 2001.

KIWA Certified : K25290/01
 CE Certified : CE 0879
 Kitemark Certified : KM51562

EN 671-1



KM51562

Hose Reels are available in both Manual and Automatic .



MOYNE ROBERTS

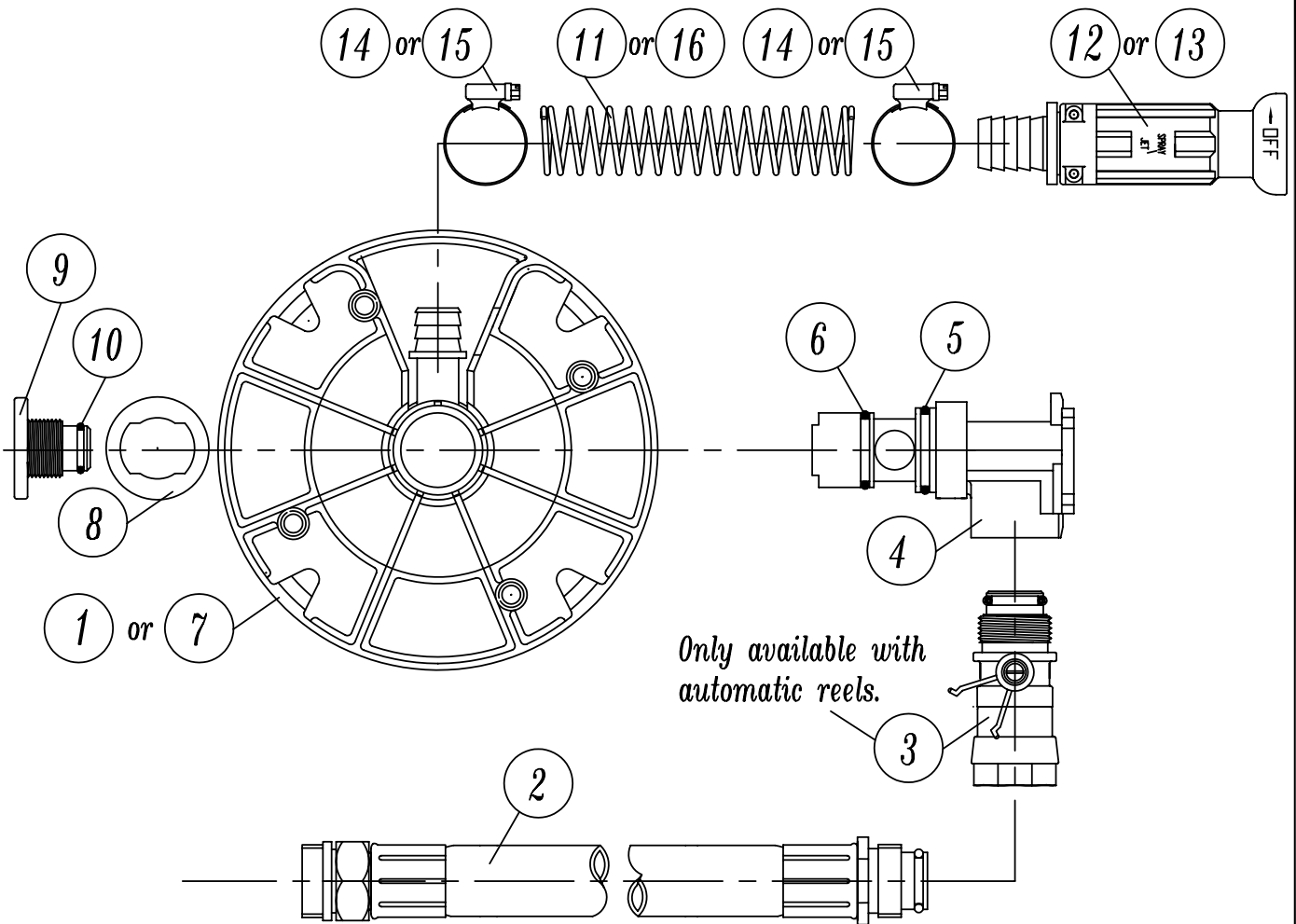
Ireland.

England.

TITLE : Model 3 Automatic Swinging Hose Reel to EN671-1.

MOYNE ROBERTS DATA SHEET

Data Sheet Number.	DR196
Issue / Date.	4 12/04/07
Page.	2 of 4



Item	Part No	Description	No	Material	Item	Part No	Description	No	Material
1	M1213	19mm Inner Drum	1	Plastic	2	MA222	Flexible Connector	1	----
3	M1247	Automatic Valve	1	Brass	4	M1216	Brass Spindle Body	1	Brass
5	M742	219 O ring	1	Nitrile	6	M1246	216 O ring	1	Nitrile
7	M1212	25mm Inner Drum	1	Plastic	8	M1219	Lock Washer	1	Nylon
9	M1220	BSP Plug	1	Nylon	10	M1245	17 x 3 O ring	1	Nitrile
11	M1229	1" Spring	1	Steel	12	MA101	25mm Nozzle.	1	Nylon
13	M1220	19mm Nozzle	1	Nylon	14	M096	1" Worm Drive Clip	2	Steel
15	M095	3/4" Worm Drive Clip	2	Steel	16	M1228	3/4" Spring.	1	Steel



MOYNE ROBERTS

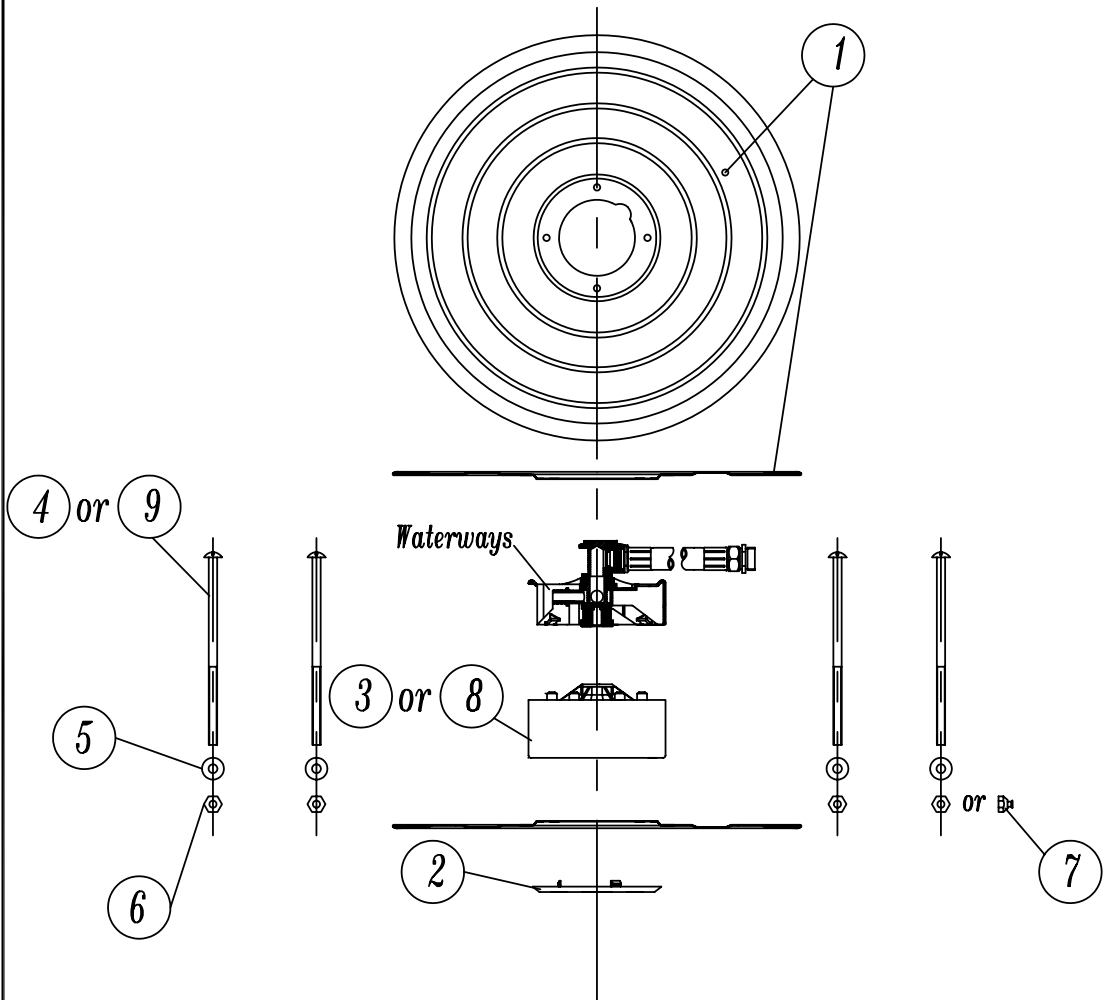
Ireland.

England.

**TITLE : Model 3 Waterways for Automatic
Hose Reel to EN671-1.**

MOYNE ROBERTS DATA SHEET

Data Sheet Number.	DR196
Issue / Date.	2 12/04/07
Page.	3 of 4



Item	Part No	Description	No	Material	Item	Part No	Description	No	Material
1	M1210	Side Plate disc	2	MS	2	M1217	Cover Plate	1	Nylon
3	M1215	1" Outer drum spacer	1	Plastic	4	M1223	1" Tie Bolt	4	Stl zinc
5	M084	Washer	4	Nylon	6	M029	Nut	4	Stl zinc
7	M1244	Automatic actuator	1	MS	8	M1239	3/4" Outer drum spacer	1	Plastic
9	M1224	3/4" Tie Bolt	4	Stl zinc					



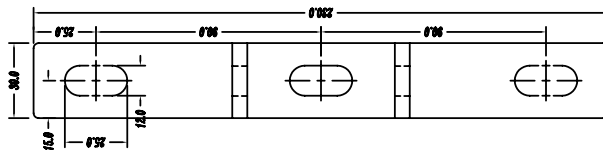
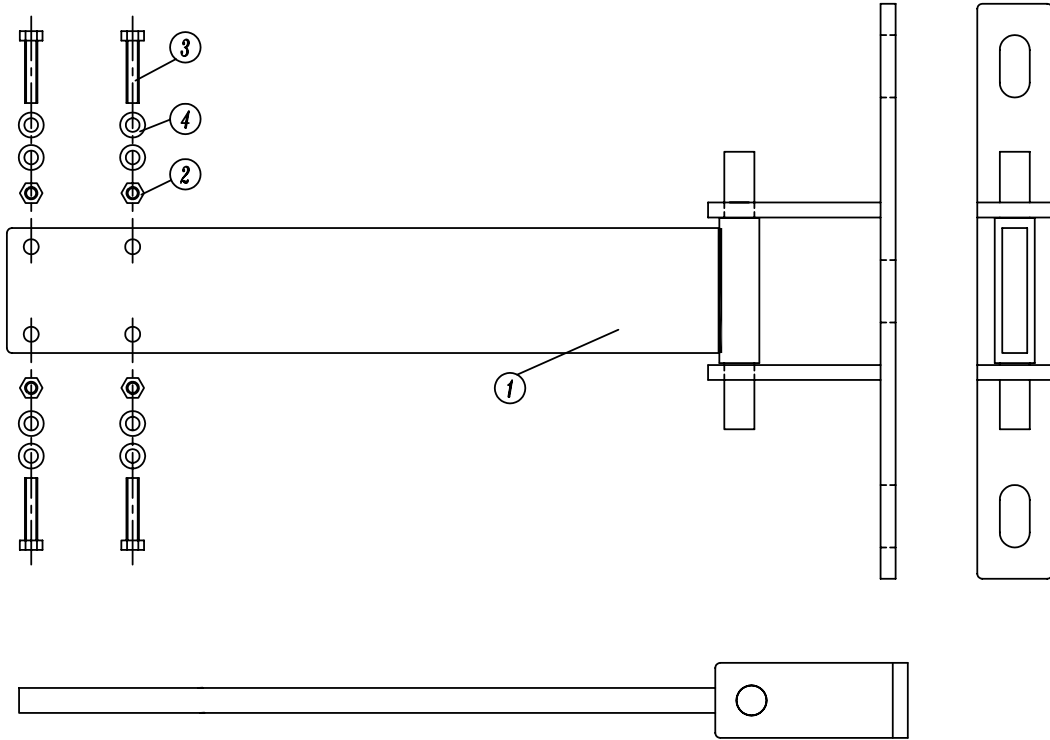
MOYNE ROBERTS

Ireland. | England.

TITLE : Model 3 Swinging Fire Hose Reel Drum Assembly to EN671-1.

MOYNE ROBERTS DATA SHEET

<i>Data Sheet Number.</i>	<i>DR196</i>
<i>Issue / Date.</i>	<i>2 12/04/07</i>
<i>Page.</i>	<i>4 of 4</i>



<i>Item</i>	<i>Part No</i>	<i>Description</i>	<i>No</i>	<i>Material</i>	<i>Item</i>	<i>Part No</i>	<i>Description</i>	<i>No</i>	<i>Material</i>
1	M1243	Model 3 Swinging Arm	1	Mildstl	2	M1241	M5 Nut	4	Stlzinc
3	M1242	M5 Bolt	4	Stlzinc	4	M1240	M5 Washer	8	Stlzinc



MOYNE ROBERTS

Ireland.

England.

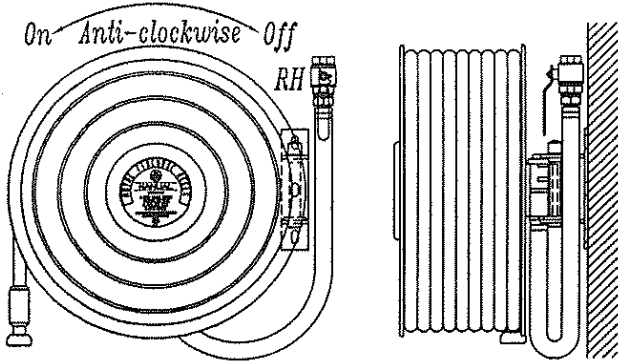
TITLE : Model 3 Hose Reel Arm Assembly

MOYNE ROBERTS DATA SHEET

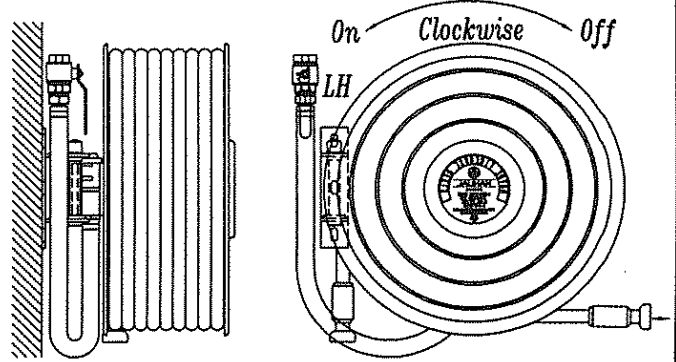
Data Sheet Number.	DR653
Issue / Date.	1 11/02/09
Page.	1 of 1

Surface Mounted Swinging Reel

Right Hand Swinging Arm
Left Hand Reel (Anti-Clockwise)



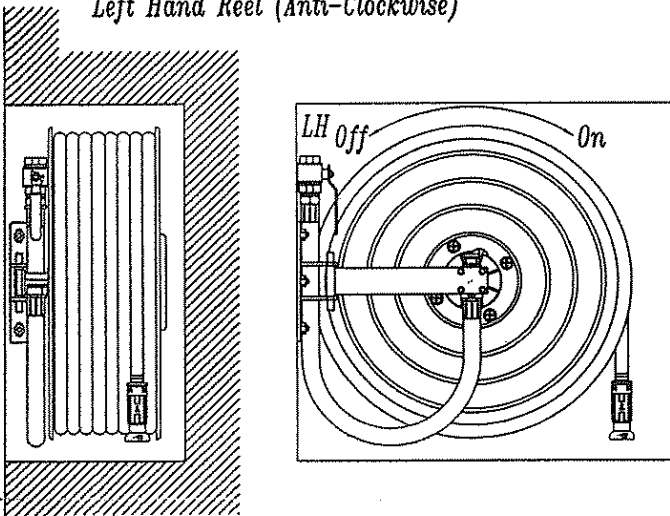
Left Hand Swinging Arm
Left Hand Reel (Anti-Clockwise)



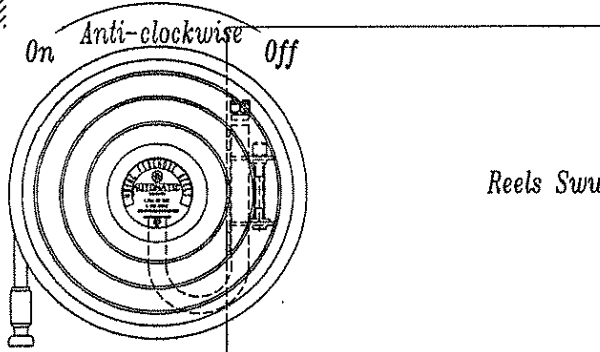
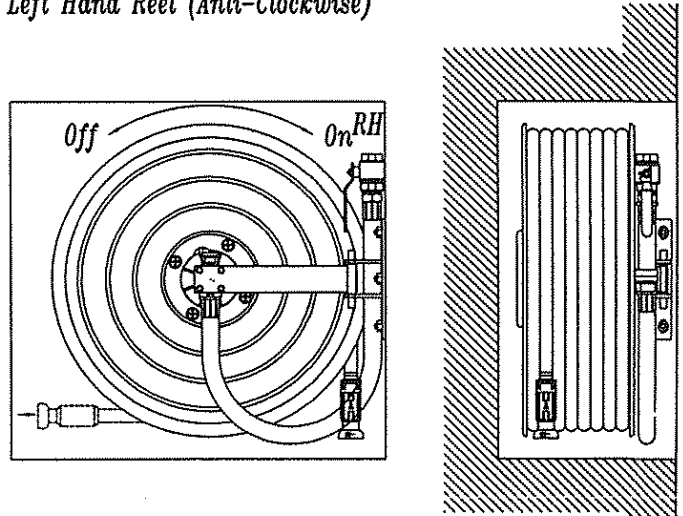
Take hose off from bottom.

Recess Mounted Swinging Reel

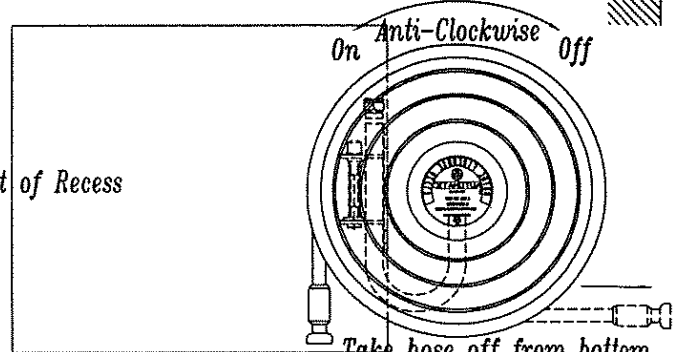
Left Hand Swinging Arm
Left Hand Reel (Anti-Clockwise)



Right Hand Swinging Arm
Left Hand Reel (Anti-Clockwise)



Reels Swung Out of Recess



Take hose off from bottom.



MOYNE ROBERTS

Moyne Engineering Ltd. Ireland. H. Roberts (Preston) Ltd. England.

TITLE : Anti-Clockwise used for both LH and RH Swinging Reels.



Kitemark[®] Licence

No. KM 51562

The British Standards Institution hereby grants to:

Moyne Roberts (Ireland) Limited
Moynehall
Cavan
Ireland

In respect of:

BS EN 671-1
Hose Reels with Semi Rigid Hose

This issues the right and licence to use the Kitemark in accordance with the Kitemark Licence Conditions of Contract governing the use of the Kitemark, as may be updated from time to time by The British Standards Institution, and as approved by the Registrar under the Trade Marks Act 1994 (the "Conditions"). All defined terms in this Licence shall have the same meaning as in the Conditions.

The use of the Kitemark is authorized in respect of the Product(s) detailed on this Licence provided at or from the above address.

For and on behalf of The British Standards Institution:

David W. Ford, Executive Director, Healthcare & Testing Services

First Issued: **2/09/1999**

Latest Issue: **20/08/2010**



raising standards worldwide[™]

Page 1 of 2



This Licence remains the property of The British Standards Institution and shall be returned immediately upon request. To check its validity telephone +44 (0)8450 765600.

The British Standards Institution, Kitemark House, Maylands Avenue, Hemel Hempstead, Hertfordshire, HP2 4SQ, United Kingdom. Tel:+44 (0)8450 765600 Web: www.bsigroup.com/certification. The British Standards Institution Headquarters: 389 Chiswick High Road, London, W4 4AL. Tel:+44 (0)20 8996 9001. The British Standards Institution is incorporated by Royal Charter.



Kitemark[®] Licence

No. KM 51562

BS EN 671-1: Hose reels with semi-rigid hose

Model	Description
1A 19mm	19 mm automatically operated fixed type fire hose reel
1A 25mm	25 mm automatically operated fixed type fire hose reel
1B 19mm	19 mm manually operated fixed type fire hose reel
1B 25mm	25 mm manually operated fixed type fire hose reel
3A 19mm	19 mm automatically operated swinging (surface) type fire hose reel
3A 25mm	25 mm automatically operated swinging (surface) type fire hose reel
3B 19mm	19 mm manually operated swinging (surface) type fire hose reel
3B 25mm	25 mm manually operated swinging (surface) type fire hose reel
4A 19mm	19 mm automatically operated swinging (recess) type fire hose reel
4A 25mm	25 mm automatically operated swinging (recess) type fire hose reel
4B 19mm	19 mm manually operated swinging (recess) type fire hose reel
4B 25mm	25 mm manually operated swinging (recess) type fire hose reel

The above hose reel models falling within the scope of this licence appendix may be marketed under the following brand names:

ABC Fire	Champion Fire	Trent Fire
Amber Fire	Juma Al Majid	Unisafe
Arabian Construction	Leeds Fire	Walker Fire (IRL)
Bristol Fire	Moyne Engineering	Victory Fire
Cease Fire	Tayside Fire	