

Style 301

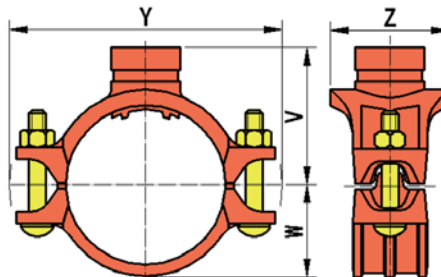
Mechanical Tee

Publication: 03.01EN

Style 301 Mechanical Tee with groove outlet provides a direct branch connection at any location where a hole can be cut in the pipe. Gasket is a pressure responsive design which provides the seal.

Style 303 assemblies can be achieved with the use of two Style 301 of same run size and the same or differing outlet size. Style 305 can be achieved with the use of one Style 301 outlet parts and one Style 302 outlet parts.

OD	Work Pressure	Hole Size	W	Y	Z	V	BoltS Size	Approx. Wt. Ea.
Inches mm	Psi bar	Inches mm	Inches mm	Inches mm	Inches mm	Inches mm	Inches mm	Lbs. kg
2x1	300	1.50	1.42	5.47	2.72	2.64	½x2½	2.2
60.3x33.7	20.7	38.1	36	139	69	67	M12x60	1.0
2x1½	300	1.75	1.42	5.47	2.95	2.64	½x2½	2.4
60.3x42.4	20.7	44.5	36	139	75	67	M12x60	1.1
2x1½	300	1.75	1.42	5.47	3.27	2.68	½x2½	2.6
60.3x48.3	20.7	44.5	36	139	83	68	M12x60	1.2
2½x1	300	1.50	1.69	6.02	2.72	2.91	½x3	2.4
73.0x33.7	20.7	38.1	43	153	69	74	M12x75	1.1
2½x1½	300	1.75	1.69	6.02	2.95	2.91	½x3	2.6
73.0x42.4	20.7	44.5	43	153	75	74	M12x75	1.2
2½x1½	300	2.00	1.69	6.02	3.27	2.91	½x3	2.9
73.0x48.3	20.7	50.8	43	153	83	74	M12x75	1.3
2½x2	300	2.00	1.69	6.02	3.27	2.91	½x3	3.1
73.0x60.3	20.7	50.8	43	153	83	74	M12x75	1.4
3ODx1	300	1.50	1.77	6.14	2.72	2.99	½x3	2.4
76.1x33.7	20.7	38.1	45	156	69	76	M12x75	1.1
3ODx1½	300	1.75	1.77	6.14	2.95	2.99	½x3	2.6
76.1x42.4	20.7	44.5	45	156	75	76	M12x75	1.2
3ODx1½	300	2.00	1.77	6.14	3.27	2.99	½x3	2.9
76.1x48.3	20.7	50.8	45	156	83	76	M12x75	1.3
3ODx2	300	2.50	1.77	6.14	3.78	2.99	½x3	3.1
76.1x60.3	20.7	63.5	45	156	96	76	M12x75	1.4
3x1	300	1.50	2.01	6.54	2.72	3.23	½x3	2.6
88.9x33.7	20.7	38.1	51	166	69	82	M12x75	1.2
3x1½	300	1.75	2.01	6.54	2.95	3.23	½x3	2.9
88.9x42.4	20.7	44.5	51	166	75	82	M12x75	1.3
3x1½	300	2.00	2.01	6.54	3.27	3.23	½x3	3.1
88.9x48.3	20.7	50.8	51	166	83	82	M12x75	1.4
3x2	300	2.50	2.01	6.54	3.74	3.23	½x3	3.3
88.9x60.3	20.7	63.5	51	166	95	82	M12x75	1.5
4x1	300	1.50	2.52	7.52	2.72	3.78	½x3	3.1
114.3x33.7	20.7	38.1	64	191	69	96	M12x75	1.4
4x1½	300	1.75	2.52	7.52	2.95	3.78	½x3	3.3
114.3x42.4	20.7	44.5	64	191	75	96	M12x75	1.5
4x1½	300	2.00	2.52	7.52	3.27	3.78	½x3	3.5
114.3x48.3	20.7	50.8	64	191	83	96	M12x75	1.6
4x2	300	2.50	2.52	7.52	3.74	3.78	½x3	3.7
114.3x60.3	20.7	63.5	64	191	95	96	M12x75	1.7
4x2½	300	2.75	2.52	7.52	4.02	3.82	½x3	4.2
114.3x73.0	20.7	69.9	64	191	102	97	M12x75	1.9
4x3OD	300	2.75	2.52	7.52	4.02	3.82	½x3	4.2
114.3x76.1	20.7	69.9	64	191	102	97	M12x75	1.9
4x3	300	3.50	2.52	7.52	4.80	3.82	½x3	4.8
114.3x88.9	20.7	88.9	64	191	122	97	M12x75	2.2



- Style 301 is Mechanical Tee with Groove outlet.
- UL listed and FM approved is 300psi (21Bar).
- 10" and larger, Reducing Tee is recommended to use.
- For correct installation, Please refer to page 91 "General of Installation" and publication AZ-100-EN of "Installation Manual".
- For Hole cutting requirement please refer to page 44, Tightening Torque for Bolts and nuts is 50±4 lbs.ft (68±5 N.m)
- For ONE TIME FIELD TEST ONLY, The Max. Joint working pressure may be increased to 1.5 times the figures shown.

LPC Approval refer to page 13.



VISION INTERNATIONAL | No.221 Jin Lan Rd.,JiaDing Industrial Park,Shanghai P.R. China,Tel:+86-21-5954-5863,Fax:+86-21-5954-3888

VISION
A VISION COMPANY

www.visionpiping.com

| FIRE PROTECTION SYSTEM | INTERNATIONAL |

NINGBO VISION PIPEFITTING CO.,LTD.,Xiaogang,Xinquan Village,Beilun District,Ningbo,Zhejiang P.R.of China ,Tel:+86-574-8615-6262

Style 301 CONT'D

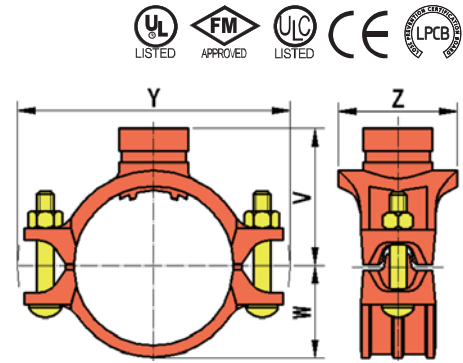
Mechanical Tee

Publication: 03.01EN

Style 301 Mechanical Tee with groove outlet provides a direct branch connection at any location where a hole can be cut in the pipe. Gasket is a pressure responsive design which provides the seal.

Style 303 assemblies can be achieved with the use of two Style 301 of same run size and the same or differing outlet size. Style 305 can be achieved with the use of one Style 301 outlet parts and one Style 302 outlet parts.

OD	Work Pressure	Hole Size	W	Y	Z	V	BoltS Size	Approx. Wt. Ea.
Inches Mm	Psi bar	Inches mm	Inches mm	Inches mm	Inches mm	Inches mm	Inches mm	Lbs. kg
5½ODx1	300	1.50	3.07	9.21	2.72	4.33	¾x3½	4.4
139.7x33.7	20.7	38.1	78	234	69	110	M16x90	2.0
5½ODx1¼	300	1.75	3.07	9.21	2.95	4.33	¾x3½	4.6
139.7x42.4	20.7	44.5	78	234	75	110	M16x90	2.1
5½ODx1½	300	2.00	3.07	9.21	3.27	4.33	¾x3½	4.8
139.7x48.3	20.7	50.8	78	234	83	110	M16x90	2.2
5½ODx2	300	2.50	3.07	9.21	3.74	4.33	¾x3½	5.3
139.7x60.3	20.7	63.5	78	234	95	110	M16x90	2.4
5½ODx3OD	300	2.75	3.07	9.21	4.02	4.33	¾x3½	5.9
139.7x76.1	20.7	69.9	78	234	102	110	M16x90	2.7
5½ODx3	300	3.50	3.07	9.21	4.80	4.33	¾x3½	6.4
139.7x88.9	20.7	88.9	78	234	122	110	M16x90	2.9
5x1	300	1.50	3.11	9.25	2.72	4.37	¾x3½	4.6
141.3x33.7	20.7	38.1	79	235	69	111	M16x90	2.1
5x1¼	300	1.75	3.11	9.25	2.95	4.37	¾x3½	4.6
141.3x42.4	20.7	44.5	79	235	75	111	M16x90	2.1
5x1½	300	2.00	3.11	9.25	3.27	4.37	¾x3½	4.8
141.3x48.3	20.7	50.8	79	235	83	111	M16x90	2.2
5x2	300	2.50	3.11	9.25	3.74	4.37	¾x3½	5.1
141.3x60.3	20.7	63.5	79	235	95	111	M16x90	2.3
5x2½	300	2.75	3.11	9.25	4.02	4.41	¾x3½	5.7
141.3x73.0	20.7	69.9	79	235	102	112	M16x90	2.6
5x3	300	3.50	3.11	9.25	4.80	4.41	¾x3½	6.4
141.3x88.9	20.7	88.9	79	235	122	112	M16x90	2.9
6½ODx1	300	1.50	3.11	9.25	2.72	4.88	¾x3½	5.1
165.1x33.7	20.7	38.1	79	235	69	124	M16x90	2.3
6½ODx1¼	300	1.75	3.58	10.16	2.95	4.88	¾x3½	5.1
165.1x42.4	20.7	44.5	91	258	75	124	M16x90	2.3
6½ODx1½	300	2.00	3.58	10.16	3.27	4.88	¾x3½	5.3
165.1x48.3	20.7	50.8	91	258	83	124	M16x90	2.4
6½ODx2	300	2.50	3.58	10.16	3.74	4.88	¾x3½	5.7
165.1x60.3	20.7	63.5	91	258	95	124	M16x90	2.6
6½ODx3OD	300	2.75	3.58	10.16	4.02	4.88	¾x3½	6.4
165.1x76.1	20.7	69.9	91	258	102	124	M16x90	2.9
6½ODx3	300	3.50	3.58	10.16	4.80	4.88	¾x3½	7.0
165.1x88.9	20.7	88.9	91	258	122	124	M16x90	3.2
6½ODx4	300	4.50	3.58	10.16	5.75	4.96	¾x3½	7.3
165.1x114.3	20.7	114.3	91	258	146	126	M16x90	3.3
6x1	300	1.50	3.66	10.28	2.72	4.96	¾x3½	5.1
168.3x33.7	20.7	38.1	93	261	69	126	M16x90	2.3
6x1¼	300	1.75	3.66	10.28	2.95	4.96	¾x3½	5.3
168.3x42.4	20.7	44.5	93	261	75	126	M16x90	2.4
6x1½	300	2.00	3.66	10.28	3.27	4.96	¾x3½	5.5
168.3x48.3	20.7	50.8	93	261	83	126	M16x90	2.5



- Style 301 is Mechanical Tee with Groove outlet.
- UL listed and FM approved is 300psi (21Bar).
- 10" and larger, Reducing Tee is recommended to use.
- For correct installation, Please refer to page 91 "General of Installation" and publication AZ-100-EN of "Installation Manual".
- For Hole cutting requirement please refer to page 44, Tightening Torque for Bolts and nuts is 50±4 lbs.ft (68±5 N.m)
- For ONE TIME FIELD TEST ONLY, The Max. Joint working pressure may be increased to 1.5 times the figures shown.

LPC Approval refer to page 13.



VISION
A VISION COMPANY

VISION INTERNATIONAL | No.221 Jin Lan Rd.,JiaDing Industrial Park,Shanghai P.R. China,Tel:+86-21-5954-5863,Fax:+86-21-5954-3888

www.visionpiping.com

| FIRE PROTECTION SYSTEM | INTERNATIONAL |

NINGBO VISION PIPEFITTING CO.,LTD.,Xiaogang,Xinquan Village,Beilun District,Ningbo,Zhejiang P.R.of China ,Tel:+86-574-8615-6262

Style 301 CONT'D

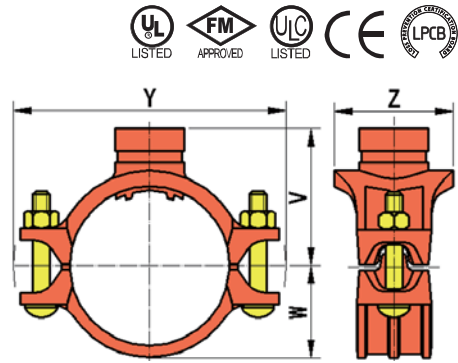
Mechanical Tee

Publication: 03.01EN

Style 301 Mechanical Tee with groove outlet provides a direct branch connection at any location where a hole can be cut in the pipe. Gasket is a pressure responsive design which provides the seal.

Style 303 assemblies can be achieved with the use of two Style 301 of same run size and the same or differing outlet size. Style 305 can be achieved with the use of one Style 301 outlet parts and one Style 302 outlet parts.

OD	Work Pressure	Hole Size	W	Y	Z	V	BoltS Size	Approx. Wt. Ea.
Inches mm	Psi bar	Inches mm	Inches mm	Inches mm	Inches mm	Inches mm	Inches mm	Lbs. kg
6x2	300	2.50	3.66	10.28	3.74	4.96	¾x3½	5.9
168.3x60.3	20.7	63.5	93	261	95	126	M16x90	2.7
6x2½	300	2.75	3.66	10.28	4.02	4.96	¾x3½	6.8
168.3x73.0	20.7	69.9	93	261	102	126	M16x90	3.1
6x3OD	300	2.75	3.66	10.28	4.02	4.96	¾x3½	7.0
168.3x76.1	20.7	69.9	93	261	102	126	M16x90	3.2
6x3	300	3.50	3.66	10.28	4.80	4.96	¾x3½	7.7
168.3x88.9	20.7	88.9	93	261	122	126	M16x90	3.5
6x4	300	4.50	3.66	10.28	5.75	5.04	¾x3½	7.9
168.3x114.3	20.7	114.3	93	261	146	128	M16x90	3.6
8x1	300	1.50	4.72	12.99	2.72	5.98	¾x4	7.7
219.1x33.7	20.7	38.1	120	330	69	152	M20x100	3.5
8x1¼	300	1.75	4.72	12.99	2.95	5.98	¾x4	7.9
219.1x42.4	20.7	44.5	120	330	75	152	M20x100	3.6
8x1½	300	2.00	4.72	12.99	3.27	5.98	¾x4	8.4
219.1x48.3	20.7	50.8	120	330	83	152	M20x100	3.8
8x2	300	2.50	4.72	12.99	3.74	5.98	¾x4	8.8
219.1x60.3	20.7	63.5	120	330	95	152	M20x100	4.0
8x2½	300	2.75	4.72	12.99	4.02	5.98	¾x4	9.7
219.1x73.0	20.7	69.9	120	330	102	152	M20x100	4.4
8x3OD	300	2.75	4.72	12.99	4.02	5.98	¾x4	10.1
219.1x76.1	20.7	69.9	120	330	102	152	M20x100	4.6
8x3	300	3.50	4.72	12.99	4.80	5.98	¾x4	10.1
219.1x88.9	20.7	88.9	120	330	122	152	M20x100	4.6
8x4	300	4.50	4.72	12.99	5.67	6.06	¾x4	11.0
219.1x114.3	20.7	114.3	120	330	144	154	M20x100	5.0



- Style 301 is Mechanical Tee with Groove outlet.
- UL listed and FM approved is 300psi (21Bar).
- 10" and larger, Reducing Tee is recommended to use.
- For correct installation, Please refer to page 91 "General of Installation" and publication AZ-100-EN of "Installation Manual".
- For Hole cutting requirement please refer to page 44, Tightening Torque for Bolts and nuts is 50±4 lbs.ft (68±5 N.m).
- For ONE TIME FIELD TEST ONLY, The Max. Joint working pressure may be increased to 1.5 times the figures shown.

LPC Approval refer to page 13.



VISION INTERNATIONAL | No.221 Jin Lan Rd.,JiaDing Industrial Park,Shanghai P.R. China,Tel:+86-21-5954-5863,Fax:+86-21-5954-3888

VISION
A VISION COMPANY

www.visionpiping.com

| FIRE PROTECTION SYSTEM | INTERNATIONAL |

NINGBO VISION PIPEFITTING CO.,LTD.,Xiaogang,Xinquan Village,Beilun District,Ningbo,Zhejiang P.R.of China ,Tel:+86-574-8615-6262