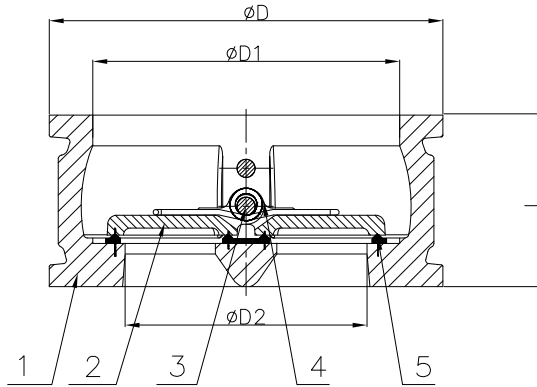


## Double Door Wafer Check Valve (DH77XSR)

OC2700.7CL



DH77XSR



NSF/ANSI 61 NSF/ANSI 372

- Connection Ends: ASME B16.1 CL 125, ASME B16.5 CL 150
- Working Pressure: 300PSI  
200PSI and 250PSI available upon request
- Temperature Range: 0°C - 80°C
- Coating: Fusion Bonded Epoxy Coating in accordance with ANSI/AWWA C550

### MATERIAL SPECIFICATION

Part No.	Part	Standard Specification	Options
1	Valve Body	ASTM A536, 65-45-12	
2	Disc	AISI 316	ASTM A536, 65-45-12, SS316, AL-Bronze UNC 95400
3	Stem	AISI 420	AISI 304, AISI 316, AISI 416
4	Spring	AISI 304	AISI 316
5	Rubber Seat	EPDM	NBR

Note: For special material request other than standard specification, please indicate clearly on the inquiry or order list.

DN		Dimensions(mm)			
Inch	mm	L	D	D1	D2
2"	50	54	106	68	46
2.5"	65	60	127	78	60
3"	80	57	134	102	70
4"	100	67	162	117	84
5"	125	83	194	145	115
6"	150	95	218	170	134
8"	200	127	277	226	184
10"	250	140	336	265	220
12"	300	181	406	310	260
14"	350	184	447	360	302
16"	400	191	505	410	350

# CERTIFICATE OF COMPLIANCE

**Certificate Number** EX16203  
**Report Reference** EX16203-2013-10-15  
**Date** 2022-July-06

**Issued to:** JINAN MEIDE CASTING CO LTD  
Meide Science and Technology Park  
Pingyin Industrial Park  
JINAN SHANDONG 250400 CN

**This is to certify that representative samples of** CHECK VALVES  
See Addendum Page for Product Designation(s).

Have been evaluated by UL in accordance with the Standard(s) indicated on this Certificate.

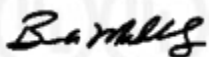
**Standard(s) for Safety:** ANSI/CAN/UL/ULC-312 Standard for Check Valves for Fire-Protection Service

**Additional Information:** See the UL Online Certifications Directory at <https://iq.ulprospector.com> for additional information

This Certificate of Compliance indicates that representative samples of the product described in the certification report have met the requirements for UL certification. It does not provide authorization to apply the UL Mark. Only the Authorization Page that references the Follow-Up Services Procedure for ongoing surveillance provides authorization to apply the UL Mark.

Only those products bearing the UL Mark should be considered as being UL Certified and covered under UL's Follow-Up Services.

Look for the UL Certification Mark on the product.



Bruce Mahrenholz, Director North American Certification Program

UL LLC

Any information and documentation involving UL Mark services are provided on behalf of UL LLC (UL) or any authorized licensee of UL. For questions, please contact a local UL Customer Service Representative at <http://ul.com/aboutul/locations/>



# CERTIFICATE OF COMPLIANCE

**Certificate Number** EX16203  
**Report Reference** EX16203-2013-10-15  
**Date** 2022-July-06

This is to certify that representative samples of the product as specified on this certificate were tested according to the current UL requirements

Model H44X2-363, H44X2-PN10, H44X2-300, H44X2-PN16, H44X2-200, H44X2-PN25,  
Model H84X-363, H84X-300, H84X-250, H84X-200, H84X-PN16, H84X-PN10,  
Model H44X2A-363, H44X2A-300, H44X2A-250, H44X2A-200, H44X2A-PN16, H44X2A-PN10,  
Model DH77XSR-300, DH77XSR-250, DH77XSR-200, DH77XSR-PN16, DH77XSR-PN10,

Model H84XF4-363, H84XF4-300, H84XF4-250, H84XF4-200, H84XF4-PN16, H84XF4-PN10,  
Model H24X-363

Note: Model H44X2(A)-363/300/(250)/200 and H44X2(A)-PN16/(10) have same construction except different flange type and Model H44X2(A)-363 add 5 inch size and Model H44X2-363 add plug on body. The check valves are intended for installation in both the horizontal and vertical positions.

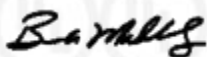
Model H84X series have same construction except rated pressure. Model H84X-363 is identical with current listed product model H84X-300 except higher pressure rating, plug material change to MI and add 5 inches size.

Model H84XF4 series have same construction with H84X except add side plug on body. Model H84XF4-363 is identical with current listed product model H84XF4-300 except higher pressure rating, plug material change to MI and add 5 inches size.

Model DH77XSR-300/250/200/PN16/PN10 has different construction with the above mentioned models; it is also intended for installation in both the horizontal and vertical positions.

Model H24X-363 is identical with current listed models with 363 psi rated pressure except for end configuration.

Model H44X2-PN25 is similar to current listed Model H44X-363 except for no plug and different end configuration designation.



Bruce Mahrenholz, Director North American Certification Program

UL LLC

Any information and documentation involving UL Mark services are provided on behalf of UL LLC (UL) or any authorized licensee of UL. For questions, please contact a local UL Customer Service Representative at <http://ul.com/aboutul/locations/>





# Certificate of Compliance

This certificate is issued for the following:

## **Anti-Water Hammer Check Valves**

**Model DH77XSR Series**

**Sizes 2, 2-1/2, 3, 4, 5, 6, 8, 10, 12, 14, and 16 inch NPS**

### **Prepared for:**

Jinan Meide Casting Co., Ltd.  
Meide Science and Technology Park  
Pingyin Industrial Park  
Jinan Shandong Province 250400  
China

### **Manufactured at:**

Jinan Meide Casting Co., Ltd.  
Meide Science and Technology Park  
Pingyin Industrial Park  
Jinan Shandong Province 250400  
China

FM Approvals Class: 1230 (December 2013)

Approval Identification: 3056152

Approval Granted: March 6, 2020

To verify the availability of the Approved product, please refer to [www.approvalguide.com](http://www.approvalguide.com)

Said Approval is subject to satisfactory field performance, continuing Surveillance Audits, and strict conformity to the constructions as shown in the Approval Guide, an online resource of FM Approvals.

A handwritten signature in dark ink, appearing to read "D. B. Fuller", is written over a horizontal line.

David Fuller  
VP - Manager of Fire Protection  
FM Approvals  
1151 Boston-Providence Turnpike  
Norwood, MA 02062



*Member of the FM Global Group*