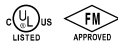


**Flanged Resilient OS&Y
Gate Valve (XZ41X),
UL/FM Approved**

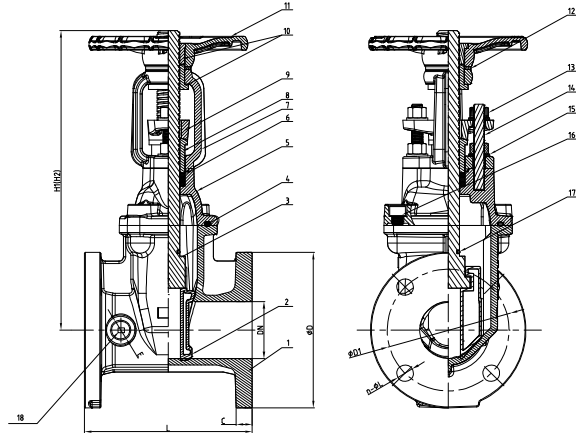
NSF/ANSI 61 NSF/ANSI 372
OC3073.7



XZ41X



- Connection Ends: Flange to ASME B16.1 CL 125
- Working Pressure: 300PSI
200PSI and 250PSI available upon request
- Temperature Range: 0°C - 80°C
- Coating: Fusion Bonded Epoxy Coating Complies with ANSI/ AWWA C550



MATERIAL SPECIFICATION

Part No.	Part	Standard Specification	Options
1	Valve Body	ASTM A536, 65-45-12	
2	Resilient Wedge Disc	ASTM A536, 65-45-12+EPDM	
3	Stem	Stainless Steel	AISI 304, AISI 316, Al-bronze
4	Bonnet Gasket	EPDM	NBR
5	Bonnet	ASTM A536, 65-45-12	
6	Packing	EPDM	
7	Yoke	ASTM A536, 65-45-12	
8	Stem Bushing	Brass Hpb59-1	
9	Gland	ASTM A536, 65-45-12	
10	Stem Nut	Brass Hpb59-1	Bronze ZQSn5-5-5
11	Handwheel	ASTM A536, 65-45-12	Pressed Steel
12	Washer	Brass Hpb59-1	
13	Gland Nut	AISI 304	AISI 316
14	Stud	AISI 304	AISI 316
15	Flat Washer	AISI 304	AISI 316
16	Bolt	Carbon Steel Zinc Plated	AISI 304, AISI 316
17	O-Ring	NBR	EPDM
18	Plug	C89833	

Note: For special material request other than standard specification, please indicate clearly on the inquiry or order list.
Size 2"-5" with 1pc of 1/2" bronze NPT tapping plug, size 6"-12 with 1pc of 3/4" bronze NPT tapping plug.

DN		Dimensions(mm)							
Inch	mm	L	H1(Close)	H2(Open)	D	D1	C	n-ΦL	
2"	50	178	348	400	152	120.7	16.0	4-Ø19.1	
2.5"	65	190	373	440	178	139.7	17.5	4-Ø19.1	
3"	80	203	408	490	191	152.4	19.1	4-Ø19.1	
4"	100	229	471	573	229	190.5	19.1	8-Ø19.1	
5"	125	254	541	665	254	215.9	19.1	8-Ø22.2	
6"	150	267	601	755	279	241.3	19.1	8-Ø22.2	
8"	200	292	774	975	343	298.5	22.2	8-Ø22.2	
10"	250	330	939	1193	406	362.0	23.8	12-Ø25.4	
12"	300	356	1065	1370	483	431.8	25.4	12-Ø25.4	
14"	350	381	1415	1780	528	476.3	25.4	12-Φ28.6	
16"	400	406	1385	1790	592	539.8	25.4	16-Φ28.6	
18"	450	432	1835	2290	635	577.9	25.4	16-Φ31.8	
20"	500	457	1830	2380	710	635	28.6	20-Φ31.8	
24"	600	508	2030	2830	836	749.3	30.1	20-Φ34.9	

CERTIFICATE OF COMPLIANCE

Certificate Number EX15973
Report Reference EX15973-2013-06-27
Date 2022-July-06

Issued to: JINAN MEIDE CASTING CO LTD
Meide Science and Technology Park
Pingyin Industrial Park
JINAN SHANDONG 250400 CN

This is to certify that representative samples of GATE VALVES
See Addendum Page for Product Designation(s).

Have been evaluated by UL in accordance with the Standard(s) indicated on this Certificate.

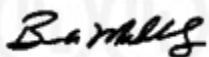
Standard(s) for Safety: UL 262 Standard for Gate Valves for Fire-Protection Service
ULC/ORD C262-92 Standard for Gate-Valves for Fire-Protection Service

Additional Information: See the UL Online Certifications Directory at <https://iq.ulprospector.com> for additional information

This Certificate of Compliance indicates that representative samples of the product described in the certification report have met the requirements for UL certification. It does not provide authorization to apply the UL Mark. Only the Authorization Page that references the Follow-Up Services Procedure for ongoing surveillance provides authorization to apply the UL Mark.

Only those products bearing the UL Mark should be considered as being UL Certified and covered under UL's Follow-Up Services.

Look for the UL Certification Mark on the product.



Bruce Mahrenholz, Director North American Certification Program

UL LLC

Any information and documentation involving UL Mark services are provided on behalf of UL LLC (UL) or any authorized licensee of UL. For questions, please contact a local UL Customer Service Representative at <http://ul.com/aboutul/locations/>



CERTIFICATE OF COMPLIANCE

Certificate Number EX15973
Report Reference EX15973-2013-06-27
Date 2022-July-06

This is to certify that representative samples of the product as specified on this certificate were tested according to the current UL requirements

Gate Valve
Model

Z41X-300, Z41X-250, Z41X-200, Z41X-PN16-300, Z41X-PN16-250, Z41X-PN16-200, Z45X-363, Z45X83R-363, Z45X-300, Z45X-250, Z45X-200, Z45X-PN16-300, Z45X-PN16-250, Z45X-PN16-200, Z45X-1-PN25, Z81X-300, Z81X-250, Z81X-200, Z81X-PN16-300, Z81X-PN16-250, Z81X-PN16-200, Z85X-300, Z85X-250, Z85X-200, Z85X-PN16-300, Z85X-PN16-250, Z85X-PN16-200, Z51X-300, Z51X-250, Z51X-200, Z51X-PN16-300, Z51X-PN16-250, Z51X-PN16-200, Z55X-300, Z55X-250, Z55X-200, Z55X-PN16-300, Z55X-PN16-250, Z55X-PN16-200,

F, Flange
G, Groove

Model

Z31X-300, Z31X-250, Z31X-200, XZ81X-300, XZ81X-250, XZ81X-200, XZ81X-PN16, XZ41X-PN16-300, XZ41X-PN16-250, XZ41X-PN16, XZ41X-PN10, Z41X-PN16, Z41X-PN10, Z41X-F4-PN16, Z41X-F4-PN10, XZ41X-F4-PN16, XZ41X-F4-PN10, XZ41X-363, XZ41X83R-363, XZ41X-300, XZ41X-250, XZ41X-200, Z35X-300, Z35X-250, Z35X-200, Z35XC-300, Z35XC-250, Z35XC-200, Z35XC-2-300, Z35XC-2-250, Z35XC-2-200, Z85XC-2-300, Z85XC-2-250, Z85XC-2-200, Z45X-1-F4-PN16, Z45X-1-F4-PN10, Z45X-1-PN16, Z45X-1-PN10, Z45X-1-PN16-300, Z45X-1-PN16-250, Z45XC-F4-PN16, Z45XC-F4-PN10, Z45XC-PN16, Z45XC-PN10, Z45XC-PN16-300, Z45XC-PN16-250, Z45XC-300, Z45XC-250, Z45XC-200, Z45XC-2-363, Z45XC83R-2-363, Z45XC-2-300, Z45XC-2-250, Z45XC-2-200, Z45XC-2-PN16-300, Z45XC-2-PN16-250, Z45XC-2-PN16, Z45XC-2-PN10, Z45XC-2-F4-PN16, Z45XC-2-F4-PN10, Z45X-PN16, Z45X-PN10, Z45X-F4-PN16, Z45X-F4-PN10,

Note:

OS&Y – Outside Stem and Yoke, NRS – Non-rising Stem

ANSI Flange complies with ANSI B16.1 Class125; has alternative construction with EN1092-2, PN16/PN10 bolt hole.

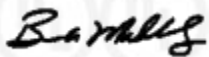
Groove complies with AWWA C606.

BS Flange complies with EN1092-2 PN16.

DIN Flange complies with DIN EN1092-2 PN16.

Z35X, Gate valve without flange plate; Z35XC, Gate valve with flange plate;

Z85XC, Gate valve with flange plate; Z45XC, Gate valve with flange plate;



Bruce Mahrenholz, Director North American Certification Program

UL LLC

Any information and documentation involving UL Mark services are provided on behalf of UL LLC (UL) or any authorized licensee of UL. For questions, please contact a local UL Customer Service Representative at <http://ul.com/aboutul/locations/>



CERTIFICATE OF COMPLIANCE

Certificate Number EX15973
Report Reference EX15973-2013-06-27
Date 2022-July-06

Model
Z01X, , , Z05X, , , Z05XC, , , Z05XC-2,

Note:

F-Flange

MJ- Mechanical joint

Model Z05X is operated by handwheel; Model Z05XC and Z05XC-2 is operated by wrench nut.

Model Z05XC-2 is assembled with indicator post plate.

Model
XZ01X, , , XZ31X, , , XZ51X,

Note:

F-Flange

G, Grooved

MJ- Mechanical joint

Model XZ01X, XZ31X and XZ51X are operated by handwheel.

Gate Valve

Model
XZ41X-250, XZ41X-200, XZ41X-175, XZ41X-PN16, XZ41X-PN10, Z45X-250, Z45X-200, Z45X-175,
Z45XC-250, Z45XC-200, Z45XC-175, Z45X-PN16, Z45X-PN10, Z45XC-PN16, Z45XC-PN10,

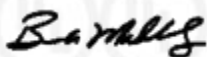
Model
Z45XC-2-250, Z45XC-2-200, Z45XC-2-175, Z45XC-2-PN16, Z45XC-2-PN10,

Note:

OS&Y – Outside Stem and Yoke, NRS – Non-rising Stem

ANSI Flange comply with ANSI B16.1 CLASS125

BS Flange comply with EN1092-2 PN10/PN16



Bruce Mahrenholz, Director North American Certification Program

UL LLC

Any information and documentation involving UL Mark services are provided on behalf of UL LLC (UL) or any authorized licensee of UL. For questions, please contact a local UL Customer Service Representative at <http://ul.com/aboutul/locations/>





Certificate of Compliance

This certificate is issued for the following:

OS&Y Type Gate Valves
Model Z31X, Z41X, XZ41X and XZ81X Series
and
NRS Type Gate Valves
Model Z35X, Z35XC-2, Z45X, Z45XC-2, XZ45X
and Z85XC-2 Series

Sizes 2, 2-1/2, 3, 4, 6, 8, 10 and 12 inch NPS

Prepared for:

Jinan Meide Casting Co Ltd
No 3 Nanmen Rd
Pingyin Jinan, 250400
China

Manufactured at:

Jinan Meide Casting Co Ltd
No 3 Nanmen Rd
Pingyin Jinan, 250400
China

FM Approvals Class: 1120/1130

Approval Identification: 0003051606

Approval Granted: March 5, 2015

To verify the availability of the Approved product, please refer to www.approvalguide.com

Said Approval is subject to satisfactory field performance, continuing Surveillance Audits, and strict conformity to the constructions as shown in the Approval Guide, an online resource of FM Approvals.

A handwritten signature in black ink, appearing to read 'Richard B. Dunne', written over a horizontal line.

Richard B. Dunne
Manager of Fire Protection
FM Approvals
1151 Boston-Providence Turnpike
Norwood, MA 02062



Member of the FM Global Group



Certificate of Compliance

This certificate is issued for the following:

Fire Service Water Control Valves

**Model XZ41X Outside Screw & Yoke Type (OS&Y) and
Model Z45X Non-Rising Stem Type (NRS)**

Sizes 14, 16, 18, 20 and 24 inch NPS

Prepared for:

**Jinan Meide Casting Co., Ltd.
No. 3 Nanmen Rd
Pingyin, Jinan 250400
China**

Manufactured at:

**Jinan Meide Casting Co., Ltd.
No. 3 Nanmen Rd
Pingyin, Jinan 250400
China**

FM Approvals Standard 1120, 1130: Fire Service Water Control Valves
(OS&Y and NRS Type Gate Valves), dated April 1997

Approval Identification: 0003059094

Approval Granted: April 7, 2017

To verify the availability of the Approved product, please refer to www.approvalguide.com

Said Approval is subject to satisfactory field performance, continuing Surveillance Audits, and strict conformity to the constructions as shown in the Approval Guide, an online resource of FM Approvals.

A handwritten signature in black ink that reads 'D. B. Fuller'.

David B. Fuller
AVP, Manager - Fire Protection
FM Approvals
1151 Boston-Providence Turnpike
Norwood, MA 02062 USA



Member of the FM Global Group