

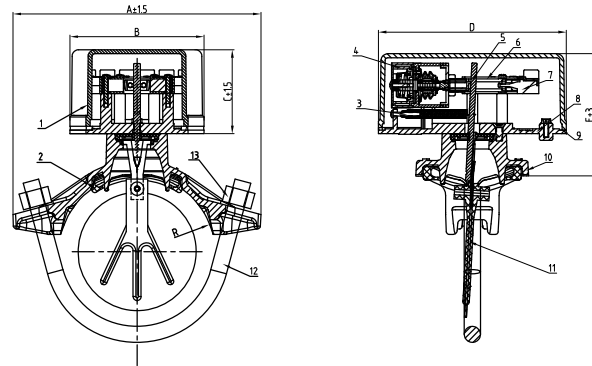
Water Flow Indicator with Retard (ZSJZYS)



ZSJZYS



- Connection Ends: AWWA C606
- Working Pressure: 363PSI and 300PSI
200PSI and 250PSI available upon request
- Temperature Range: 0°C - 68°C
- Coating: Fusion Bonded Epoxy Coating in accordance with ANSI/AWWA C550
- Electrical Ratings: 125/250VAC 5A 24/30VDC 3A
- Minimum Flow Rate For Alarm: 4-10 gpm

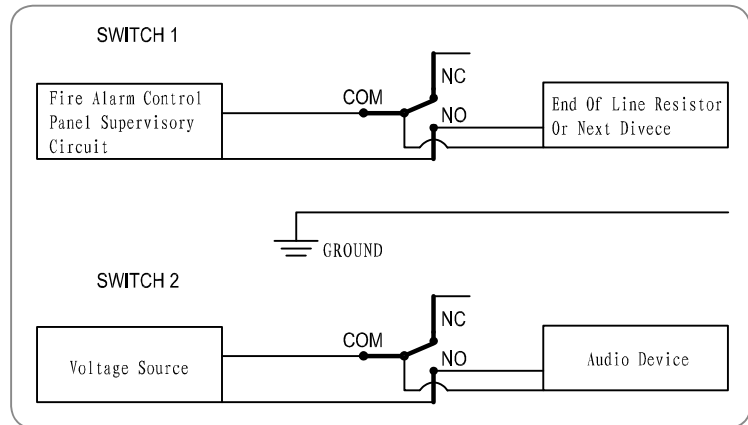


MATERIAL SPECIFICATION

Part No.	Part	Standard Specification
1	Cover	ASTM B85-96 383.0E
2	Body Gasket	EPDM
3	Spring	AISI 304
4	Air Delay Device	PC GV3410R
5	Stem Seal Assembly	SS304+NBR
6	Connecting Rod	POM 500P
7	Switch Assembly	PC GV3410R
8	Connection Plate	ASTM B85-96 383.0E
9	Connection Plate Seal	NBR
10	Body	ASTM A536, 65-45-12
11	Vane Assembly	PE
12	U-Bolts	Carbon Steel Zinc Plated
13	Nuts	Carbon Steel Zinc Plated

Note: For special material request other than standard specification, please indicate clearly on the inquiry or order list.

WIRING DIAGRAM



DN		Dimensions(mm)							
Inch	mm	R	A±1.5	B	C±1.5	D	E±3	Hole Dia. +1.6/0	Certificate
2"	50	60.3	116	100	63	140	83.5	30	UL/FM
2.5"	65	73	120	100	63	140	83.5	30	UL/FM
2.5"	65	76.1	122	100	63	140	83.5	30	UL/FM
3"	80	88.9	145	100	63	140	94	51	UL/FM
4"	100	114.3	185	100	63	140	94.5	51	UL/FM
5"	125	139.7	212	100	63	140	94.5	51	UL/FM
5"	125	141.3	212	100	63	140	94.5	51	UL/FM
6"	150	165.1	254	100	63	140	95	51	UL/FM
6"	150	168.3	254	100	63	140	95	51	UL/FM
8"	200	219.1	298	100	63	140	95	51	UL/FM
10"	250	273.0	381	100	63	140	97.5	70	—

Note: Size 10" is not UL/FM listed.

CERTIFICATE OF COMPLIANCE

Certificate Number 20180612-S35941
Report Reference S35941-20180606
Issue Date 2018-JUNE-12

Issued to: JINAN MEIDE CASTING CO LTD
Meide Science and Technology Park
Pingyin Industrial Park
JINAN
SHANDONG 250400 CHINA

**This is to certify that
representative samples of**

EXTINGUISHING SYSTEM ATTACHMENTS

Waterflow Indicators (paddle-type) model
ZSJZYS
Supervisory switches, Models ZXHQ and MXHQ

Have been investigated by UL in accordance with the
Standard(s) indicated on this Certificate.

Standard(s) for Safety:

UL 346 : Standard for Safety for Waterflow Indicators for
Fire Protective Signaling Systems
CAN/ULC-S548 : DEVICES AND ACCESSORIES FOR
WATER TYPE EXTINGUISHING SYSTEMS


Additional Information:

See the UL Online Certifications Directory at
www.ul.com/database for additional information

Only those products bearing the UL Certification Mark should be considered as being covered by UL's
Certification and Follow-Up Service.

Look for the UL Certification Mark on the product.

This is to certify that representative samples of the product as specified on this certificate were tested
according to the current UL requirements.



Bruce Mahrenholz, Director North American Certification Program
UL LLC

Any information and documentation involving UL Mark services are provided on behalf of UL LLC (UL) or any authorized licensee of UL. For questions, please
contact a local UL Customer Service Representative at <http://ul.com/aboutul/locations/>





Certificate of Compliance

This certificate is issued for the following:

Vane-Type Waterflow Alarm Indicators

Model ZSJZYS

**sizes 2, 2.5 (73.0mm, 76.1mm), 3, 4, 5 (139.7mm, 141.3mm),
6 (165.1mm, 168.3mm), 8 inch**

Prepared for:

Jinan Meide Casting Co., Ltd.
Meide Science and Technology Park
Pingyin Industrial Park
Jinan Shandong Province 250400
China

Manufactured at:

Jinan Meide Casting Co., Ltd.
Meide Science and Technology Park
Pingyin Industrial Park
Jinan Shandong Province 250400
China

FM Approvals Class: 1042 (May 2016)

Approval Identification: 3061900

Approval Granted: March 3, 2020

To verify the availability of the Approved product, please refer to www.approvalguide.com

Said Approval is subject to satisfactory field performance, continuing Surveillance Audits, and strict conformity to the constructions as shown in the Approval Guide, an online resource of FM Approvals.

A handwritten signature in black ink, appearing to read 'D.B. Fuller', is written over a horizontal line.

David B. Fuller
VP - Manager of Fire Protection
FM Approvals
1151 Boston-Providence Turnpike
Norwood, MA 02062



Member of the FM Global Group