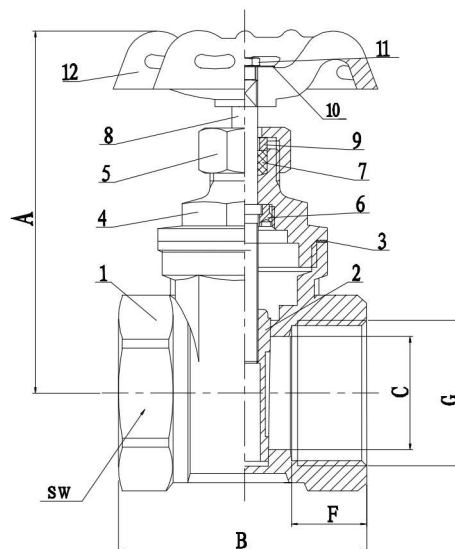


Brass Gate Valve (Z15W-101A)



Z15W-101A

- Connection Ends: ISO 228
- Working Pressure: PN16
- Temperature Range: -10°C- 100°C



MATERIAL SPECIFICATION

Part No.	Part	Standard Specification
1	Body	Brass HPb59-1
2	Valve Plate	Brass HPb57-3
3	Sealing Ring	PTFE
4	Cover	Brass HPb59-1
5	Pressure Cap	Brass HPb57-3
6	O-Rings	NBR
7	Stem Packing	PTFE
8	Stem	Brass HPb57-3
9	Stem Bushing	Brass HPb57-3
10	Nameplate	AL
11	Gland Nut	Q235
12	Handwheel	ISO 185/ JL/ 200

Note: For special material request other than standard specification, please indicate clearly on the inquiry or order list.

DN		PN	Dimensions(mm)				
Inch	mm		A	B	C	F	SW
1/2"	15	16	67	43	13	12.5	25
3/4"	20	16	74	47	17	13.5	32
1"	25	16	82	50	21.5	14.5	38
1 1/4"	32	16	92	54	26	15	47
1 1/2"	40	16	106	56	31	15.5	53
2"	50	16	128	64	40	16.5	66