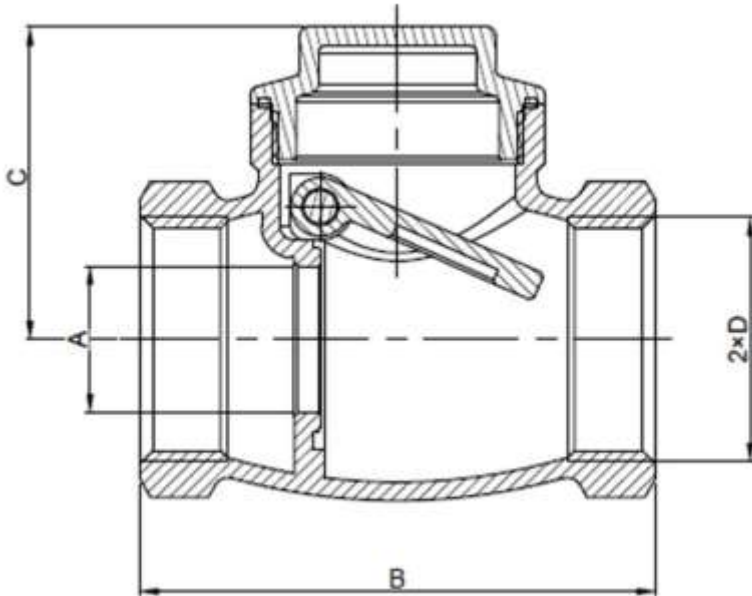


Bronze Check Valve



SPECIFICATION

Material: Bronze
 Pressure: PN16
 Operating temperature: $-20^{\circ}\text{C} \leq T \leq 120^{\circ}\text{C}$

SIZE	A	B	C	D
1/2"	Ø12	50	34.5	G1/2
3/4"	Ø15	58	38	G3/4
1"	Ø20	70	42.5	G1
1.1/4"	Ø25	80	46.5	G1.1/4
1.1/2"	Ø32	88	50.5	G1.1/2
2"	Ø40	98	57	G2