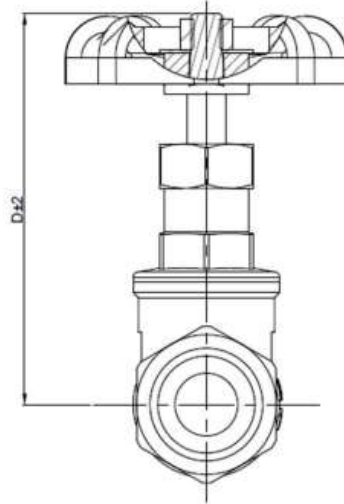
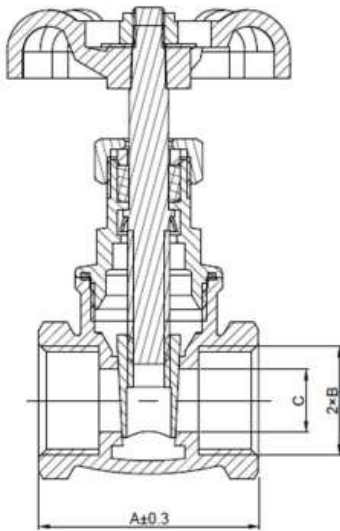


Z15W-B

Bronze Gate Valve



SPECIFICATION

Material: Bronze Pressure: PN16 Operating temperature: $-20^{\circ}\text{C} \leq T \leq 120^{\circ}\text{C}$

SIZE	A	B	C	D
1/2"	42	G1/2	Ø12	75
3/4"	46.5	G3/4	Ø15	77
1"	48	G1	Ø20	88
1.1/4"	57	G1.1/4	Ø25	103
1.1/2"	62	G1.1/2	Ø32	114
2"	66	G2	Ø40	130.5