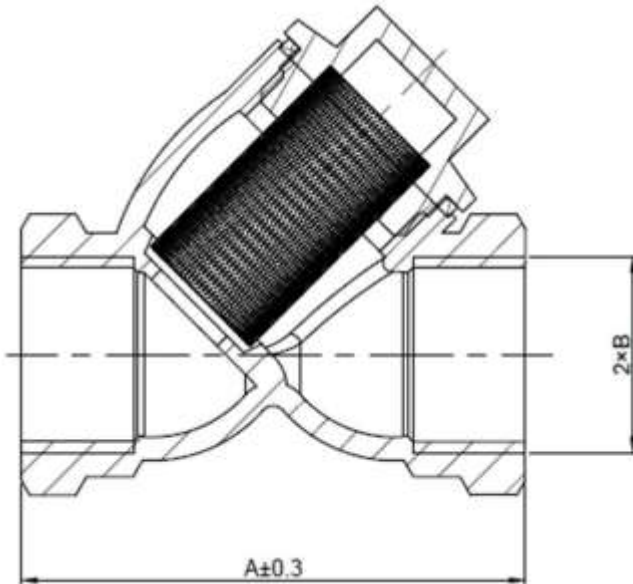


Bronze Y Strainer



SPECIFICATION

Material: Bronze Pressure: PN16 Operating temperature: $-20^{\circ}\text{C} \leq T \leq 120^{\circ}\text{C}$

SIZE	A	B
1/2"	54	G1/2
3/4"	65	G3/4
1"	78	G1
1.1/4"	85	G1.1/4
1.1/2"	98	G1.1/2
2"	118	G2