

BS Swing Check Valve (H44X2), PN10/16

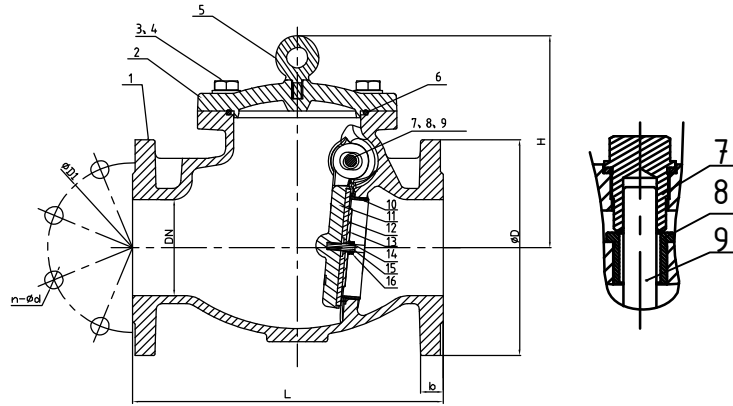
NSF/ANSI 61 NSF/ANSI 372



H44X2



- Connection Ends: Flange to BS EN 1092-2:1997
- Working Pressure: PN10/16
- Temperature Range: Rubber Seal: 0°C- 80°C,
Metal Seal: -10°C-200°C
- Coating: Fusion Bonded Epoxy Coating in accordance with
ANSI/AWWA C550 or painting upon request



MATERIAL SPECIFICATION

Part No.	Part	Standard Specification	Options
1	Valve Body	EN-GJS-450-10	
2	Bonnet	EN-GJS-450-10	
3	Bolts	Carbon Steel Zinc Plated	
4	Flat Washer	Carbon Steel Zinc Plated	
5	Eye Bolt	Carbon Steel Zinc Plated	
6	O-Ring	EPDM	NBR
7	Plug	SS304	Bronze ASTM B584
8	Bushing	Brass CW617N	
9	Hinge Pin	SS420	SS304, SS316
10	Seat	Bronze C83600	
11	Disc	EN-GJS-450-10	
12	Disc Sealing Ring	EPDM	
13	Retainer Washer	SS420 (DN50-DN100) EN-GJS-450-10 (DN125-DN300)	
14	Washer	SS304	
15	Stud	SS304	
16	Nut	SS304	

Note: For special material request other than standard specification, please indicate clearly on the inquiry or order list.

DN		PN	Dimensions(mm)					
Inch	mm		L	D	D1	b	H	n-φd
2"	50	10/16	203	165	125	19	133	4-φ19
2.5"	65	10/16	216	185	145	19	150	4-φ19
3"	80	10/16	241	200	160	19	150	8-φ19
4"	100	10/16	292	220	180	19	218	8-φ19
5"	125	10/16	330	250	210	19	245	8-φ19
6"	150	10/16	356	285	240	19	290	8-φ23
8"	200	10	495	340	295	20	330	8-φ23
		16						12-φ23
10"	250	10	622	405	350	22	350	12-φ23
		16			355			12-φ28
12"	300	10	698	460	400	24.5	376	12-φ23
		16			410			12-φ28



This certifies that

JINAN MEIDE CASTING CO., LTD

has had the undermentioned product examined, tested and found, when correctly installed, to comply with the requirements of the United Kingdom Water Supply (Water Fittings) Regulations and Scottish Water Byelaws.

H44X2 SWING GATE NON-RETURN VALVES: DN50 - 300

The certificate by itself is not evidence of a valid WRAS Approval. Confirmation of the current status of an approval must be obtained from the WRAS Directory (www.wras.co.uk/directory)

The product so mentioned will be valid until the end of:

July 2024

1907334

Certificate No.

A handwritten signature in black ink that reads 'J Funnal'.

Secretary

A handwritten signature in black ink, consisting of several vertical strokes followed by a horizontal line.

Chairman, Product Assessment Group



Certificate of Quality System Approval

This is to certify that the product listed below conforms to the requirements of the

Pressure Equipment Directive 2014/68/EU

Annex III Module H

Certificate Number	HPiVS-iP1001-123-Q-07-00	Date of Expiry	04-Nov-2024
Date of Issue	22-Dec-2022	Surveillance due:	04-Nov-2022
Manufacturer	Jinan Meide Casting Co., Ltd No.1 Meide Street, Rose Town, Pingyin County, Jinan City, Shandong Province, China		

Description of Pressure Equipment	Gate, check, butterfly, hydraulic control, air bleeding, bottom, balance, globe and hydrant valves, flexible rubber joints, water flow indicators and strainers as per attached schedule
--	--

Equipment Identification	CE plate on each Category I, II and III item
---------------------------------	--

Type of material	steels
-------------------------	--------

Other Certification	ISO 9001:2015 Quality Management System Certificate no. CN034460 issued by Bureau Veritas
----------------------------	---

Standards Applied	See certificate schedule
--------------------------	--------------------------

Report Reference	HPiVS-iP1001-123-7
-------------------------	--------------------

This Certificate is valid in any European Economic Area Member State.

This Report has been issued by HPi Verification Services (Ireland) Ltd. which is a body notified to the European Commission according to the provisions of the Pressure Equipment Directive (Notified Body number 2810).

This Report is issued following the assessment of the documentation and implementation of the Quality System in accordance with the provisions of the quoted Conformity Assessment Module of the above directive. The CE Mark may be affixed to the Pressure Equipment within the scope of approval as described above once the EU 'declaration of conformity' has been signed by the responsible person. The number '2810', being HPi Verification Services (Ireland) Ltd. Notified Body number should also be placed on the equipment dataplate.

Check this certificate is genuine



Managing Director

Technical Manager



EU Notified Body No. 2810
Company registered in Ireland #577786

© HPi Verification Services (Ireland) Ltd. 2021

Tel +353 (0)1 8017008

Email enquiries@hpivs.ie
www.hpivs.ie

HPi Verification Services (Ireland) Ltd.
Clonross
Dunshaughlin, Co.Meath
A85 XN59, Ireland



Schedule To Certificate No HPiVS-iP1001-123-Q-07-00

Product	DN (mm)	PN (bar)	Design Standard	Temperature Range (°C)
Gate Valve	25-2000	6,10, 16, 25, 35,40	BS5163, EN1074, DIN EN1171, AWWA C515,	0-120
Check Valve	25-2000	6,10, 16, 25, 35,40	BS EN 12334, BS EN 16767, MSS SP- 136, AWWA C508,	
Butterfly Valve	25-3000	6,10, 16, 25, 35,40	BS EN593, MSS SP-67, API 609	
Hydraulic Control Valve	25-600	6,10, 16, 25, 35,40	EN 1074-5, AWWA C530, EN1092-2, ASME B16.1,	
Flexible Rubber Joint	25-1200	6,10, 16, 25, 35,40	EN1092-2, ASME B16.1, ISO 7-1, ASME B1.20.1	-10-120
Water Flow Indicator	50-250	6,10, 16, 25, 35,40	ISO 6182, AWWA C606	0-120
Air Bleeding Valve	25-300	6,10, 16, 25, 35,40	EN1092-2, AWWA C512, ISO 7-1,	0-120
Strainer	8-1600	6,10, 16, 25, 35,40	EN1092-2, ASME B16.1, ISO 7-1, ASME B1.20.1	0-120
Bottom Valve	15-600	6,10, 16, 25, 35,40	BS EN 1563, EN 1092-2, ASME B16.42, ISO 7-1,	0-80
Balance Valve	15-600	6,10, 16, 25, 35,40	BS 7350, BS EN 1092-2, EN 558-1, BS EN 12266-1, BS EN 12266-2	-10°~120
Globe Valve	15-600	6,10, 16, 25, 35,40	BS EN 13789, BS 5152, BS EN 1092-2, BS EN 12266-1, BS EN 12266-2	-10° ~ 150
Hydrant Valve	50-300	6,10, 16, 25, 35,40	ASME B16.1, ASMT A536,65-45-12, BS 750, BS EN 1092-2, EN1092-2, GB3445, ISO 7-1,BS10 Table D/E Auto-frost Drain Valve as Standard, BS 750, AWWA C502, AWWA 503, EN 14339 EN14384	0-100

End of schedule

