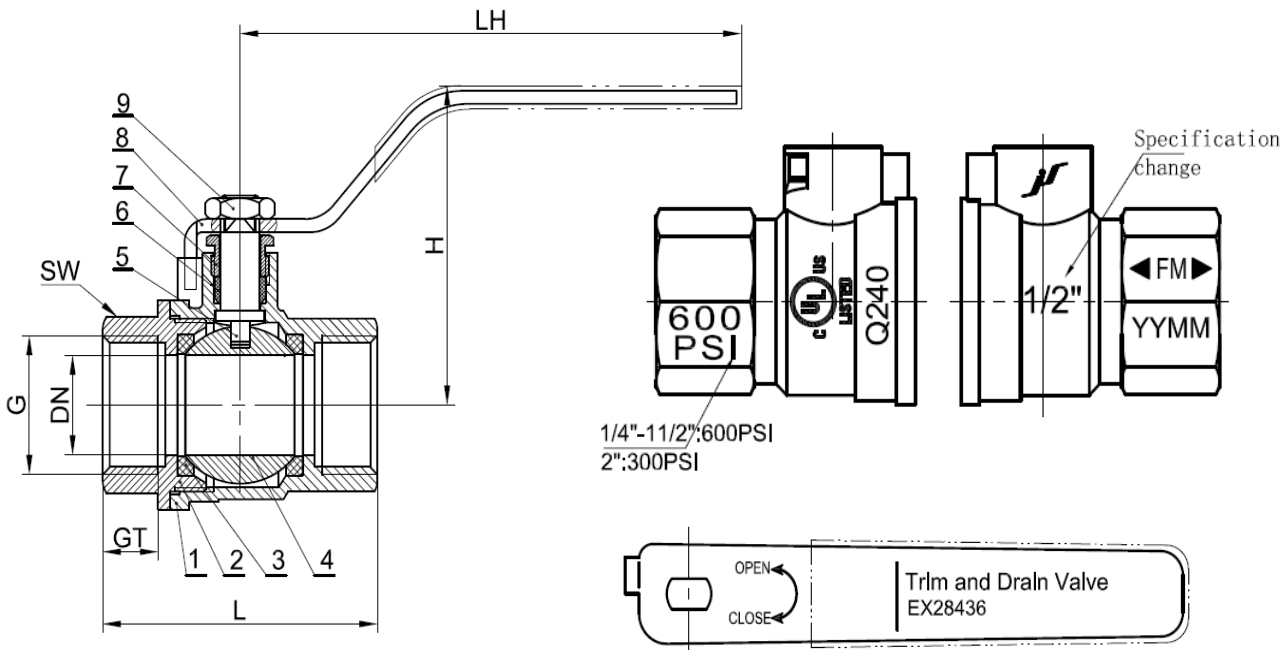
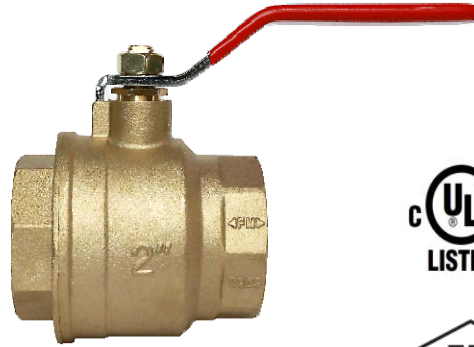




Brass Ball Valve

Model no. Q240

- Size: 1/4" to 2"
- Female BSPP/ NPT x Female BSPP/ NPT
- Working pressure : 1/4"-11/2" 600Psi
2" 300Psi



1.Dimension

G	DN	L	H	SW	Gt	LH
1/4"	10	44	46	20.5	9.5	89
3/8"	10	44	46	20.5	9.5	89
1/2"	14.5	57	51.5	25	13.5	89
3/4"	19.5	63	61	31	14	104
1"	24.5	75.5	63.5	38	17	117.5
1 1/4"	32	86.5	71	47	17	117.5
1 1/2"	40	94.2	94.5	53	17	145
2"	50	108	102	65	17.5	145

2.Material

NO	Part	Material	NO	Part	Material
1	Body	C37700	2	Bonnet	C37700
3	Seal	PTFE	4	Ball	C37700
5	Stem	HPb59-1	6	Stem Packing	PTFE
7	Gland Nut	C37700	8	Handle	Steel
9	Handle Nut	Steel			

Valves, Trim and Drain

COMPANY

NINGBO HUACHENG VALVE CO LTD

No 103 Chezhan East Rd
Huangtan Town
Ninghai, Zhejiang 315600 China

EX28436

View model for additional information

3-Way Globe, Model(s): [J102](#)

Ball, Model(s): [Q240](#)

Last Updated on 2024-05-20

The appearance of a company's name or product in this database does not in itself assure that products so identified have been manufactured under UL Solutions' Follow - Up Service. Only those products bearing the UL Mark should be considered to be Certified and covered under UL Solutions' Follow - Up Service. Always look for the Mark on the product.

UL Solutions permits the reproduction of the material contained in Product iQ subject to the following conditions: 1. The Guide Information, Assemblies, Constructions, Designs, Systems, and/or Certifications (files) must be presented in their entirety and in a non-misleading manner, without any manipulation of the data (or drawings). 2. The statement "Reprinted from Product iQ with permission from UL Solutions" must appear adjacent to the extracted material. In addition, the reprinted material must include a copyright notice in the following format: "©2024 UL LLC."



Certificate of Compliance

This certificate is issued for the following:

Quick Opening Valves

Model Q240 and Q241 Ball Valves
in sizes $\frac{1}{2}$, $\frac{3}{4}$, 1, 1-1/4, 1-1/2 and 2 inch NPS

Prepared for:

Ningbo Huacheng Valve Co Ltd
Chengguan, Ninghai, Ningbo
Zhejiang 315600
China

Manufactured at:

Ningbo Huacheng Valve Co Ltd
Chengguan, Ninghai, Ningbo
Zhejiang 315600
China

FM Approvals Class: 1140

Approval Identification: PR449364

Approval Granted: August 8, 2018

To verify the availability of the Approved product, please refer to www.approvalguide.com

Said Approval is subject to satisfactory field performance, continuing Surveillance Audits, and strict conformity to the constructions as shown in the Approval Guide, an online resource of FM Approvals.

A handwritten signature in dark ink, appearing to read 'D.B. Fuller', is written over a horizontal line.

David B. Fuller
VP, Manager of Fire Protection
FM Approvals
1151 Boston-Providence Turnpike
Norwood, MA 02062 USA



Member of the FM Global Group