

## **FIRE PROTECTION SYSTEM**

### **BALL VALVE**

|                  |   |   |
|------------------|---|---|
| BRAND NAME       | : | HUACHENG  |
| MODEL            | : | Q240  |
| SIZE             | : | 1/2" - 2"   |
| WORKING PRESSURE | : | 600 PSI.,W.O.G (1/4" - 1.1/2" Dia)<br>300 PSI.,W.O.G (2" Dia) |
| APPROVED         | : | UL/FM   |

### **MATERIAL OF CONSTRUCTION**

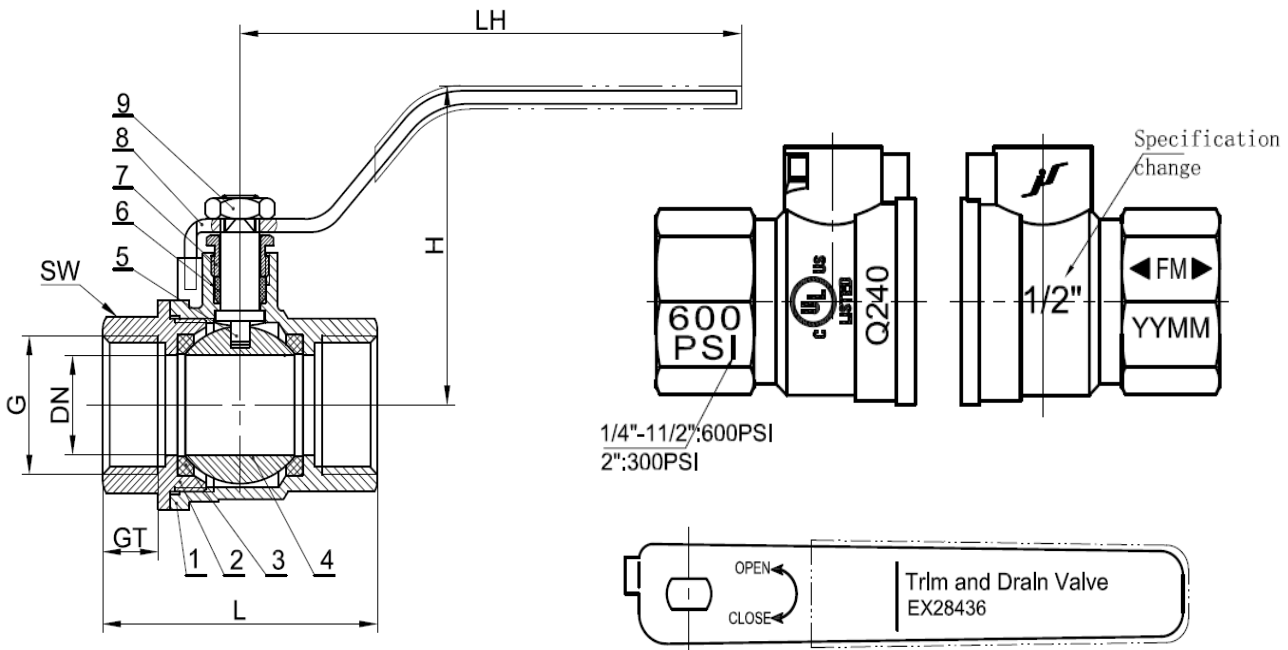
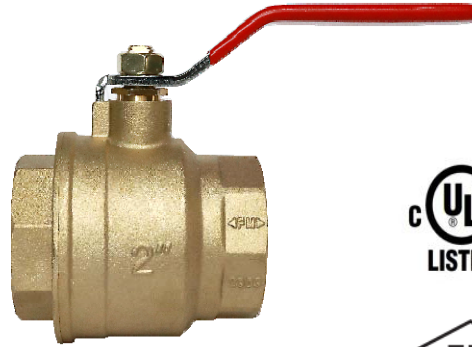
|            |   |                 |
|------------|---|-----------------|
| BODY       | : | BRASS           |
| BALL       | : | BRASS           |
| SEATS      | : | PTFE            |
| CONNECTION | : | BSPP THREAD END |



# Brass Ball Valve

## Model no. Q240

- Size: 1/4" to 2"
- Female BSPP/ NPT x Female BSPP/ NPT
- Working pressure : 1/4"-11/2" 600Psi  
2" 300Psi



### 1.Dimension

| G      | DN   | L    | H    | SW   | Gt   | LH    |
|--------|------|------|------|------|------|-------|
| 1/4"   | 10   | 44   | 46   | 20.5 | 9.5  | 89    |
| 3/8"   | 10   | 44   | 46   | 20.5 | 9.5  | 89    |
| 1/2"   | 14.5 | 57   | 51.5 | 25   | 13.5 | 89    |
| 3/4"   | 19.5 | 63   | 61   | 31   | 14   | 104   |
| 1"     | 24.5 | 75.5 | 63.5 | 38   | 17   | 117.5 |
| 1 1/4" | 32   | 86.5 | 71   | 47   | 17   | 117.5 |
| 1 1/2" | 40   | 94.2 | 94.5 | 53   | 17   | 145   |
| 2"     | 50   | 108  | 102  | 65   | 17.5 | 145   |

### 2.Material

| NO | Part       | Material | NO | Part         | Material |
|----|------------|----------|----|--------------|----------|
| 1  | Body       | C37700   | 2  | Bonnet       | C37700   |
| 3  | Seal       | PTFE     | 4  | Ball         | C37700   |
| 5  | Stem       | HPb59-1  | 6  | Stem Packing | PTFE     |
| 7  | Gland Nut  | C37700   | 8  | Handle       | Steel    |
| 9  | Handle Nut | Steel    |    |              |          |

## Valves, Trim and Drain

### COMPANY

#### NINGBO HUACHENG VALVE CO LTD

No 103 Chezhan East Rd  
Huangtan Town  
Ninghai, Zhejiang 315600 China

EX28436

*View model for additional information*

**3-Way Globe**, Model(s): [J102](#)

**Ball**, Model(s): [Q240](#)

Last Updated on 2024-05-20

---

The appearance of a company's name or product in this database does not in itself assure that products so identified have been manufactured under UL Solutions' Follow - Up Service. Only those products bearing the UL Mark should be considered to be Certified and covered under UL Solutions' Follow - Up Service. Always look for the Mark on the product.

UL Solutions permits the reproduction of the material contained in Product iQ subject to the following conditions: 1. The Guide Information, Assemblies, Constructions, Designs, Systems, and/or Certifications (files) must be presented in their entirety and in a non-misleading manner, without any manipulation of the data (or drawings). 2. The statement "Reprinted from Product iQ with permission from UL Solutions" must appear adjacent to the extracted material. In addition, the reprinted material must include a copyright notice in the following format: "©2024 UL LLC."



# Certificate of Compliance

This certificate is issued for the following:

## Quick Opening Valves

**Model Q240 and Q241 Ball Valves**  
in sizes  $\frac{1}{2}$ ,  $\frac{3}{4}$ , 1, 1-1/4, 1-1/2 and 2 inch NPS

### Prepared for:

Ningbo Huacheng Valve Co Ltd  
Chengguan, Ninghai, Ningbo  
Zhejiang 315600  
China

### Manufactured at:

Ningbo Huacheng Valve Co Ltd  
Chengguan, Ninghai, Ningbo  
Zhejiang 315600  
China

FM Approvals Class: 1140

Approval Identification: PR449364

Approval Granted: August 8, 2018

To verify the availability of the Approved product, please refer to [www.approvalguide.com](http://www.approvalguide.com)

Said Approval is subject to satisfactory field performance, continuing Surveillance Audits, and strict conformity to the constructions as shown in the Approval Guide, an online resource of FM Approvals.

A handwritten signature in dark ink, appearing to read 'D.B. Fuller', written over a horizontal line.

David B. Fuller  
VP, Manager of Fire Protection  
FM Approvals  
1151 Boston-Providence Turnpike  
Norwood, MA 02062 USA



*Member of the FM Global Group*