

SANITARY SYSTEM

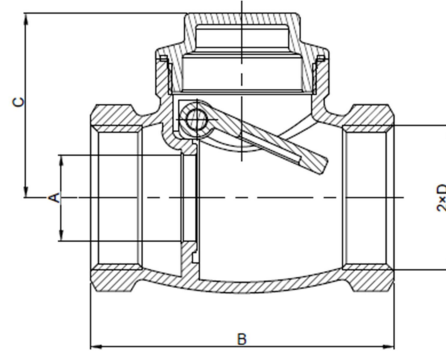
SWING CHECK VALVE

BRAND NAME	:	MECH
MODEL	:	BH14W-421A
SIZE	:	1/2" - 2"
WORKING PRESSURE	:	PN16 (232 PSI)
CONNECTION	:	SCREWED ENDS

MATERIAL OF CONSTRUCTION

BODY	:	BRONZE
DISC	:	BRONZE
BONNET	:	BRONZE

**Bronze Check Valve
(BH14W-421A)**



- Connection Ends: ISO 228
- Working Pressure: PN16
- Temperature Range: -10°C- 100°C

SPECIFICATION

Material: Bronze Pressure: PN16 Operating temperature: -20°C ≤ T ≤ 120°C

SIZE	A	B	C	D
1/2"	∅12	50	34.5	G1/2
3/4"	∅15	58	38	G3/4
1"	∅20	70	42.5	G1
1.1/4"	∅25	80	46.5	G1.1/4
1.1/2"	∅32	88	50.5	G1.1/2
2"	∅40	98	57	G2