

SANITARY SYSTEM

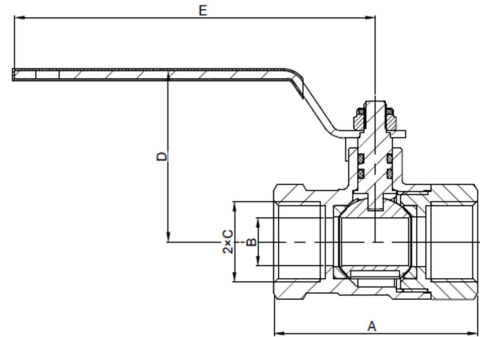
BALL VALVE

BRAND NAME	:	MECH
MODEL	:	BQ11F-221A
TYPE	:	FULL BORE
SIZE	:	1/2" - 2"
WORKING PRESSURE	:	PN16 (232 PSI)
CONNECTION	:	SCREWED ENDS

MATERIAL OF CONSTRUCTION

BODY	:	BRONZE
BALL	:	BRASS
SEAT	:	PTFE

Bronze Ball Valve
(BQ11F-221A)



- Connection Ends: ISO 228
- Working Pressure: PN16
- Temperature Range: -10°C- 100°C

SPECIFICATION

Material: Bronze Pressure: PN16 Operating temperature: -20°C ≤ T ≤ 120°C

SIZE	A	B	C	D	E
1/2"	53	Ø12.5	G1/2	44.5	93
3/4"	56	Ø15	G3/4	46.5	93
1"	68	Ø20	G1	54	110
1.1/4"	74	Ø25	G1.1/4	61.8	110
1.1/2"	83	Ø32	G1.1/2	75.5	130.5
2"	92	Ø40	G2	81.5	130.5