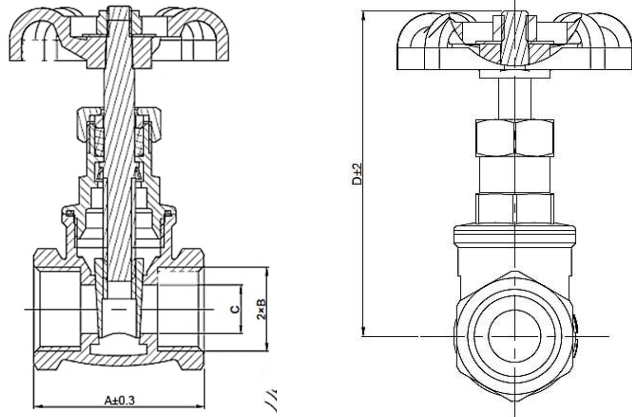


Bronze Gate Valve
(BZ15W-121A)



- Connection Ends: ISO 228
- Working Pressure: PN16
- Temperature Range: -10°C- 100°C

SPECIFICATION

Material: Bronze Pressure: PN16 Operating temperature: -20°C ≤ T ≤ 120°C

SIZE	A	B	C	D
1/2"	42	G1/2	Ø12	75
3/4"	46.5	G3/4	Ø15	77
1"	48	G1	Ø20	88
1.1/4"	57	G1.1/4	Ø25	103
1.1/2"	62	G1.1/2	Ø32	114
2"	66	G2	Ø40	130.5